

Appendix B18
Bridges and Major
Retaining Structures



BUSCONNECTS DUBLIN CORE BUS CORRIDORS INFRASTRUCTURE WORKS

KIMMAGE TO CITY CENTRE CORE BUS CORRIDOR SCHEME

| DRAWING SERIES NUMBER(S) | DRAWING SERIES DESCRIPTION |
|--|---|
| BCIDD-ROT-STR_IX-0011_XX_00-DR-SS-0001 | KIMMAGE TO CITY CENTRE CORE BUS CORRIDOR SCHEME. STRUCTURES. COVER SHEET |
| BCIDD-ROT-STR_ZZ-0011_XX_00-DR-SS-0001 | KIMMAGE TO CITY CENTRE CORE BUS CORRIDOR SCHEME. STRUCTURES. KIMMAGE 01A. GENERAL ARRANGEMENT |
| BCIDD-ROT-STR_ZZ-0011_XX_00-DR-SS-0002 | KIMMAGE TO CITY CENTRE CORE BUS CORRIDOR SCHEME. STRUCTURES. KIMMAGE 01A. SECTIONS |
| BCIDD-ROT-STR_ZZ-0011_XX_00-DR-SS-0003 | KIMMAGE TO CITY CENTRE CORE BUS CORRIDOR SCHEME. STRUCTURES. KIMMAGE 01B. GENERAL ARRANGEMENT |
| BCIDD-ROT-STR_ZZ-0011_XX_00-DR-SS-0004 | KIMMAGE TO CITY CENTRE CORE BUS CORRIDOR SCHEME. STRUCTURES. KIMMAGE 01B. SECTIONS |
| BCIDD-ROT-STR_ZZ-0011_XX_00-DR-SS-0005 | KIMMAGE TO CITY CENTRE CORE BUS CORRIDOR SCHEME. STRUCTURES. KIMMAGE 02. GENERAL ARRANGEMENT |
| BCIDD-ROT-STR_ZZ-0011_XX_00-DR-SS-0006 | KIMMAGE TO CITY CENTRE CORE BUS CORRIDOR SCHEME. STRUCTURES. KIMMAGE 02. PLAN VIEW & SECTIONS |
| BCIDD-ROT-STR_ZZ-0011_XX_00-DR-SS-0007 | KIMMAGE TO CITY CENTRE CORE BUS CORRIDOR SCHEME. STRUCTURES. KIMMAGE 03. GENERAL ARRANGEMENT & SECTIONS |
| BCIDD-ROT-STR_ZZ-0011_XX_00-DR-SS-0008 | KIMMAGE TO CITY CENTRE CORE BUS CORRIDOR SCHEME. STRUCTURES. KIMMAGE 04. GENERAL ARRANGEMENT |

Disclaimer
 © National Transport Authority (NTA) 2022. This drawing is confidential and the copyright in it is owned by NTA. This drawing must not be either loaned, copied or otherwise reproduced in whole or in part or used for any purpose without the prior permission of NTA.
 This drawing is to be used for the design element identified in the titlebox. Other information shown is to be considered indicative only. The drawing is to be read in conjunction with all other relevant design drawings.
 O.S. data used for plans are printed under © Ordnance Survey Ireland Government of Ireland. All rights reserved. Licence Number 2022/OSI_NMA_180 National Transport Authority. All elevations are in metres and relate to OSI Geoid Model (OSGM15) Malin Head. All Co-ordinates are in Irish

Transverse Mercator Grid (ITM) as defined by OSI active local GPS station.
 Information concerning the position of apparatus shown on this drawing is based on drawings supplied by the utility owners and/or the utility works contractor, whilst every care has been taken in the preparation of this drawing, positions should be taken as approximate and are intended for general guidance only and no representation is made by the NTA as to the accuracy, completeness, sufficiency or otherwise of this drawing and the position of the apparatus. The information contained herein does not purport to be comprehensive or final as the apparatus is subject to being altered and/or superseded. Recipients should not rely on this information. Any liabilities are hereby expressly disclaimed.

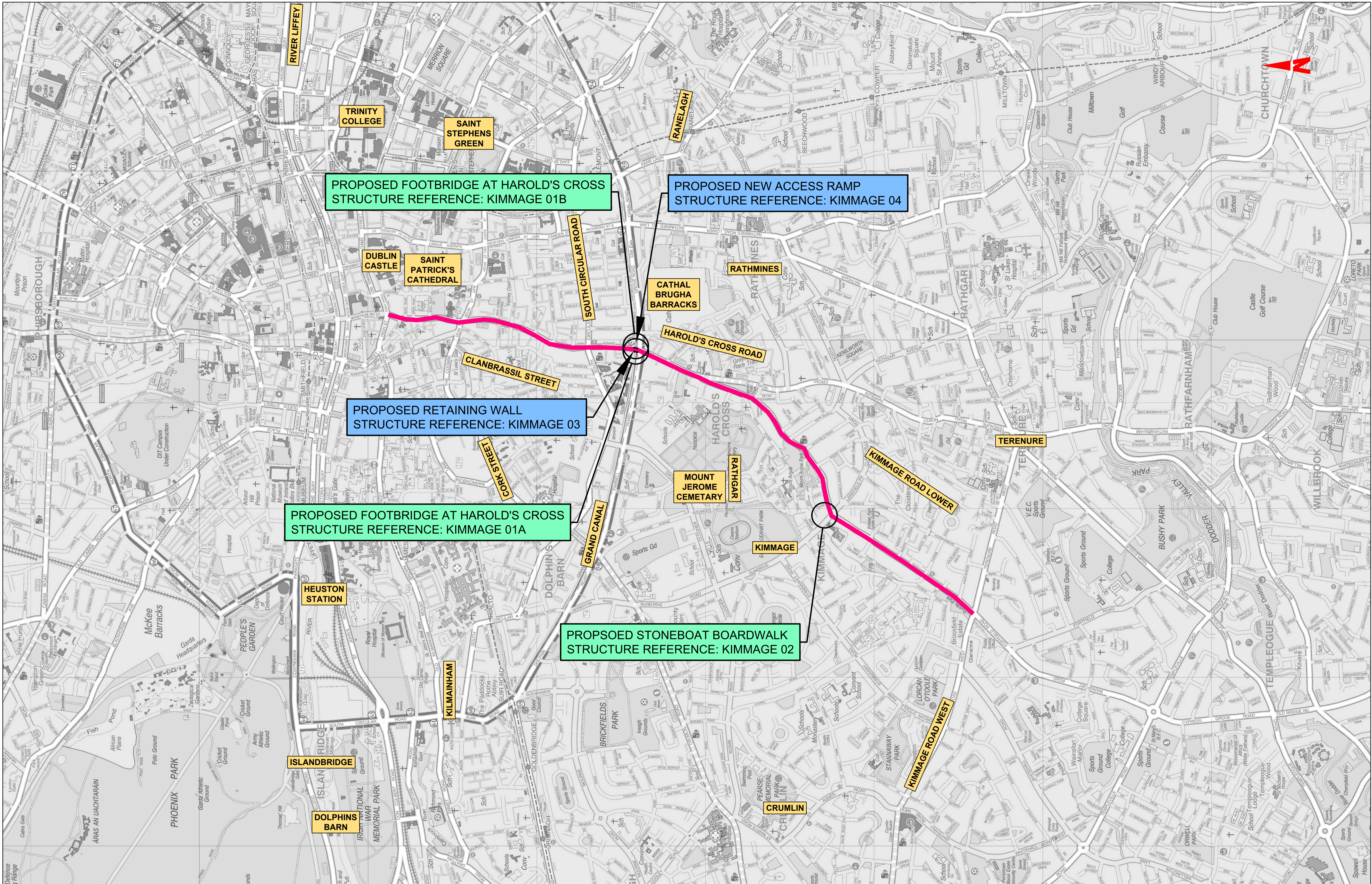
The information contained herein has been provided by the NTA but does not purport to be comprehensive or final. Recipients should not rely on the information. Neither the NTA nor any of its directors, officers, employees, agents, stakeholders or advisers make any representation or warranty as to, or accept any liability or responsibility in relation to, the adequacy, accuracy, reasonableness or completeness of the information provided as part of this document or any matter on which the information is based (including but not limited to loss or damage arising as a result of reliance by recipients on the information or any part of it). Any liabilities are hereby expressly disclaimed.



| Rev | Date | Drn | Chk'd | App'd | Description |
|-----|----------|-----|-------|-------|-----------------------------|
| M01 | FEB 2023 | JVG | EFD | SMG | ISSUE FOR PHASE 4: PLANNING |

| | | | | |
|--------------|----------------------|----------|---------|----------|
| | | | | |
| Date | Scale | Drawn | Checked | Approved |
| FEB 2023 | N/A @ A1 N/A @ A3 | JVG | EFD | SMG |
| Project Code | Originator Code | QMS Code | | |
| BCIDD | ROT | | | |

| | | | | |
|--|--------------|--------|-----|--|
| Programme Title BUSCONNECTS DUBLIN CORE BUS CORRIDORS INFRASTRUCTURE WORKS | | | | |
| Drawing Title KIMMAGE TO CITY CENTRE CORE BUS CORRIDOR SCHEME STRUCTURES COVER SHEET | | | | |
| Drawing File Name | Sheet Number | Status | Rev | |
| BCIDD-ROT-STR_IX-0011_XX_00-DR-SS-0001 | 1 of 1 | A | M01 | |



Disclaimer
 a. © National Transport Authority (NTA) 2022. This drawing is confidential and the copyright in it is owned by NTA. This drawing must not be either loaned, copied or otherwise reproduced in whole or in part or used for any purpose without the prior permission of NTA.
 b. This drawing is to be used for the design element identified in the title box. Other information shown is to be considered indicative only. The drawing is to be read in conjunction with all other relevant design drawings.
 c. O.S. data used for plans are printed under © Ordnance Survey Ireland Government of Ireland. All rights reserved. Licence Number 2022/OSI_NMA_180 National Transport Authority. All elevations are in metres and relate to OS Geoid Model (OSGM15) Mean Head. All Co-ordinates are in Irish Transverse Mercator Grid (ITM) as defined by OSI active local GPS station.
 d. Information concerning the position of apparatus shown on this drawing is based on drawings supplied by the utility owners and/or the utility works contractor, which every care has been taken in the preparation of this drawing, positions should be taken as approximate and are intended for general guidance only and no representation is made by the NTA as to the accuracy, completeness, sufficiency or otherwise of this drawing and the position of the apparatus. The information contained herein does not purport to be comprehensive or final as the apparatus is subject to being altered and/or superseded. Recipients should not rely on this information. Any liabilities are hereby expressly disclaimed.

The information contained herein has been provided by the NTA but does not purport to be comprehensive or final. Recipients should not rely on the information. Neither the NTA nor any of its directors, officers, employees, agents, stakeholders or advisers makes any representation or warranty as to, or accept any liability or responsibility in relation to, the adequacy, accuracy, reasonableness or completeness of the information provided as part of this document or any matter on which the information is based (including but not limited to loss or damage arising as a result of reliance by recipients on the information or any part of it). Any liabilities are hereby expressly disclaimed.

Rev | Date | Dn | Ch'kd | App'd | Description
 M01 | FEB 2023 | JVG | EFD | SMG | ISSUE FOR PHASE 4: PLANNING

Client: **NTA**
 Údarás Náisiúnta Iompair
 National Transport Authority

Engineering Designer: **IROD**
 IROD & O'DONOVAN
 TVPSA

Programme Title: **BUSCONNECTS DUBLIN
 CORE BUS CORRIDORS INFRASTRUCTURE WORKS**

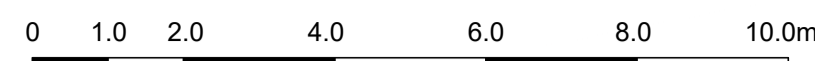
Drawing Title: **CBC 11
 KIMMAGE TO CITY CENTRE CORE BUS CORRIDOR SCHEME
 BRIDGES & RETAINING STRUCTURES
 KEY PLAN**

Date: FEB 2023 | Scale: 1:10000 @ A1 | Drawn: JVG | Checked: EFD | Approved: SMG
 Project Code: BCIDD | Originator Code: NTA | QMS Code: | Sheet Number: 01 of 01 | Status: A | Rev: M01

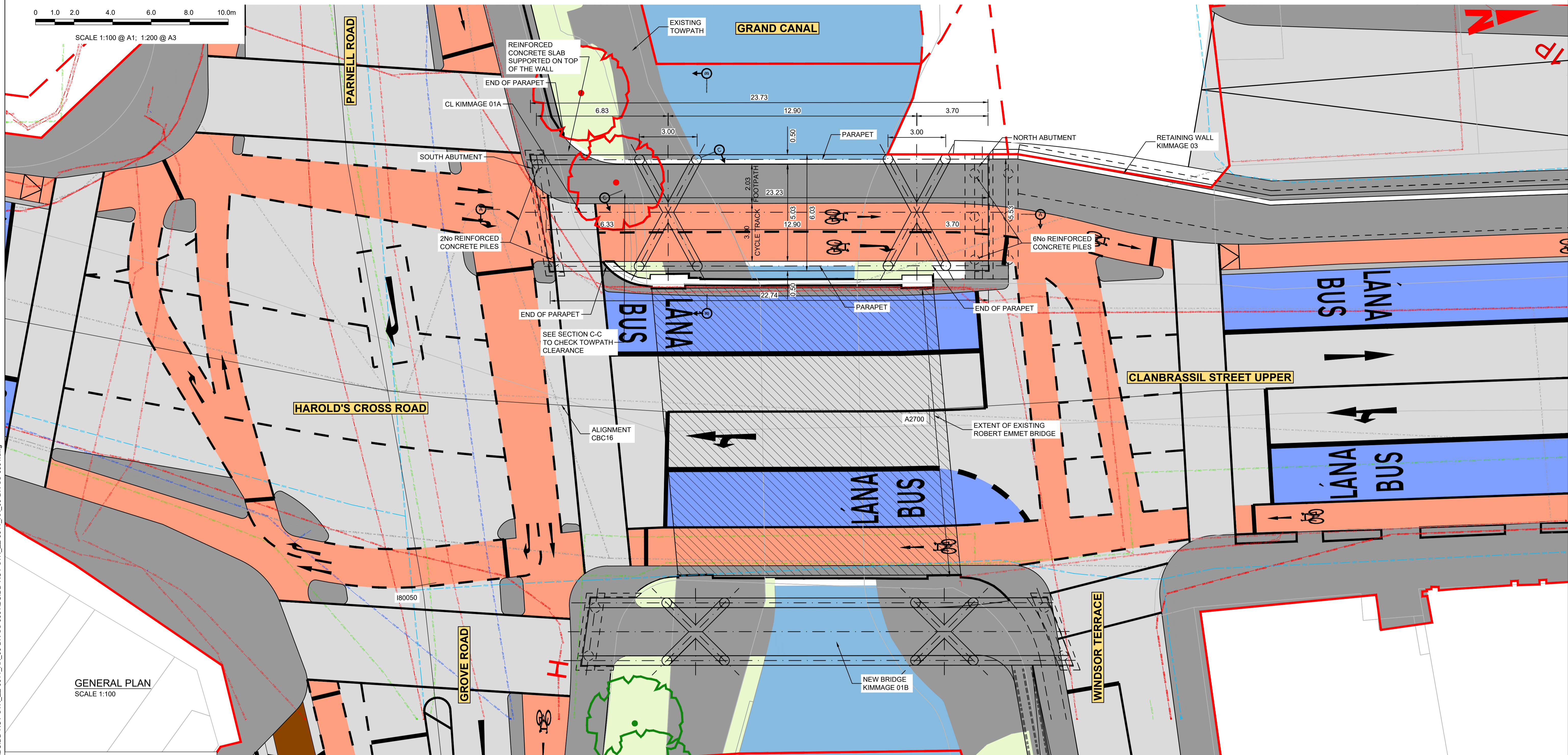
Project Ireland 2040
 Building Ireland's Future

Drawing File Name: BCIDD-ROT-STR_KP-0011_XX_00-DR-SS-0001

DO NOT SCALE USE FIGURED DIMENSIONS ONLY



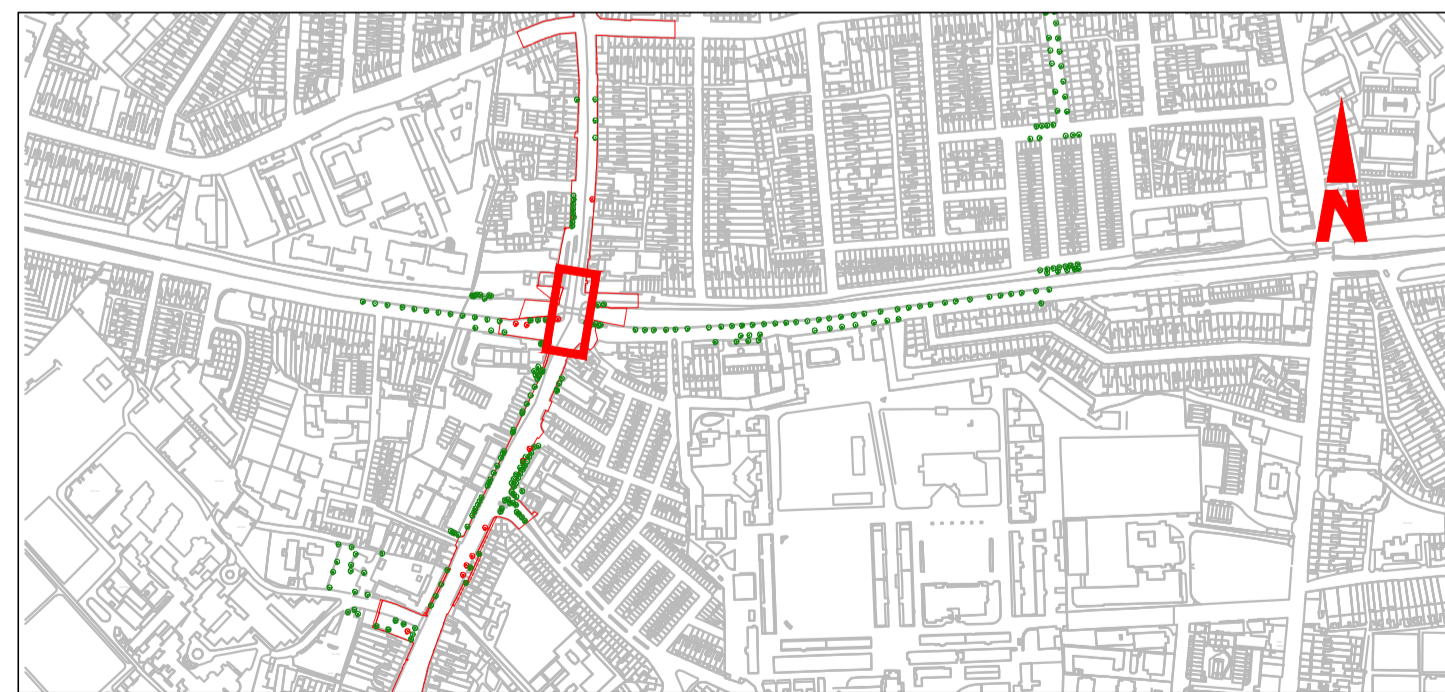
SCALE 1:100 @ A1; 1:200 @ A3



GENERAL PLAN
SCALE 1:100

NOTES:

- ALL DIMENSIONS ARE IN METRES UNLESS NOTED OTHERWISE.
- THE GENERAL ARRANGEMENT IS INDICATIVELY ONLY.
- PRIOR TO THE EXECUTION OF THE WORKS, THE CONTRACTOR MUST CHECK ON SITE THE GEOMETRY AND DIMENSIONS OF THE EXISTING STRUCTURAL ELEMENTS. SHOULD THE CONTRACTOR FIND ANY DISCREPANCY WITH THOSE INDICATED IN THE DRAWINGS, THEN IT SHALL BE COMMUNICATED IMMEDIATELY TO THE PROJECT DIRECTOR PRIOR COMMENCING CONSTRUCTION WORKS.
- ALL BURIED SURFACES TO BE WATERPROOFED IN ACCORDANCE WITH THE TII SPECIFICATION FOR ROAD WORKS.
- FOUNDATION DETAILS SUBJECT TO CONFIRMATION OR RECEIPT OF G.I.
- SAFETY BARRIER IN ACCORDANCE WITH DN-REG-03034
- STRUCTURAL STEEL ELEMENTS:
- STEEL S355
- SERVICES SHOWN INDICATIVELY ONLY. THE CONTRACTOR SHALL IDENTIFY THE SERVICES ON SITE PRIOR COMMENCING CONSTRUCTION WORKS.



KEY PLAN

Disclaimer
 a. © National Transport Authority (NTA) 2022. This drawing is confidential and the copyright in it is owned by NTA. This drawing must not be either loaned, copied or otherwise reproduced in whole or in part or used for any purpose without the prior permission of NTA.
 b. This drawing is to be used for the design element identified in the titleblock. Other information shown is to be considered indicative only. The drawing is to be read in conjunction with all other relevant design drawings.
 c. O.S. data used for plans are printed under © Ordnance Survey Ireland Government of Ireland. All rights reserved. Licence Number 2022/OSI_NMA_180 National Transport Authority. All elevations are in metres and relate to OSI Geoid Model (OSGM15) Mean Head. All Co-ordinates are in Irish Transverse Mercator Grid (ITM) as defined by OSI active local GPS station.
 d. Information concerning the position of apparatus shown on this drawing is based on drawings supplied by the utility owners and/or the utility works contractor, whilst every care has been taken in the preparation of this drawing, positions should be taken as approximate and are intended for general guidance only and no representation is made by the NTA as to the accuracy, completeness, sufficiency or otherwise of this information. The information contained herein does not purport to be comprehensive or final as the apparatus is subject to being altered and/or superceded. Recipients should not rely on this information. Any liabilities are hereby expressly disclaimed.
 e. The information contained herein has been provided by the NTA but does not purport to be comprehensive or final. Recipients should not rely on the information. Neither the NTA nor any of its directors, officers, employees, agents, stakeholders or advisers make any representation or warranty as to, or accept any liability or responsibility in relation to, the adequacy, accuracy, reasonableness or completeness of the information provided as part of this document or any matter on which the information is based (including but not limited to loss or damage arising as a result of reliance by recipients on the information or any part of it). Any liabilities are hereby expressly disclaimed.



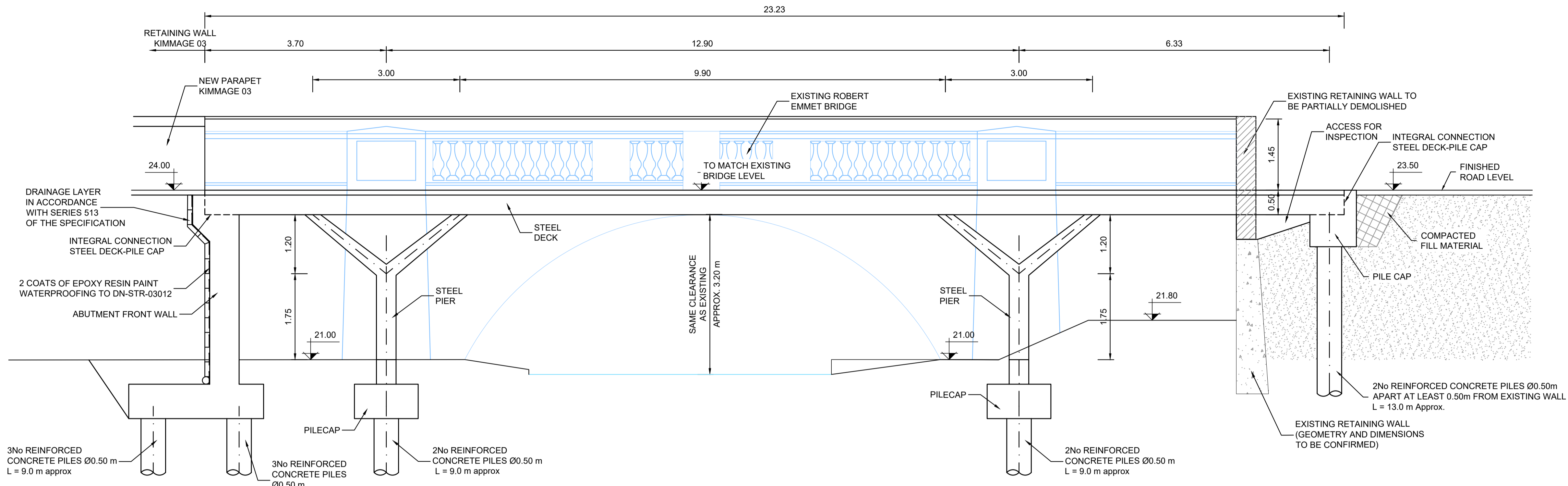
| Rev | Date | Drn | Chk'd | App'd | Description |
|-----|----------|-----|-------|-------|-----------------------------|
| M01 | FEB 2023 | JGE | EFD | SMG | ISSUE FOR PHASE 4: PLANNING |

| | | | | |
|--|-----------------------------------|--|----------------|-----------------|
| Client NTA Údarás Náisiúnta Iompair National Transport Authority | | Engineering Designer PROD TYPSA | | |
| Date FEB 2023 | Scale 1:100 @ A1 1:200 @ A3 | Drawn JVJ | Checked EFD | Approved SMG |
| Project Code BCIDD | Originator Code ROT | QMS Code | | |

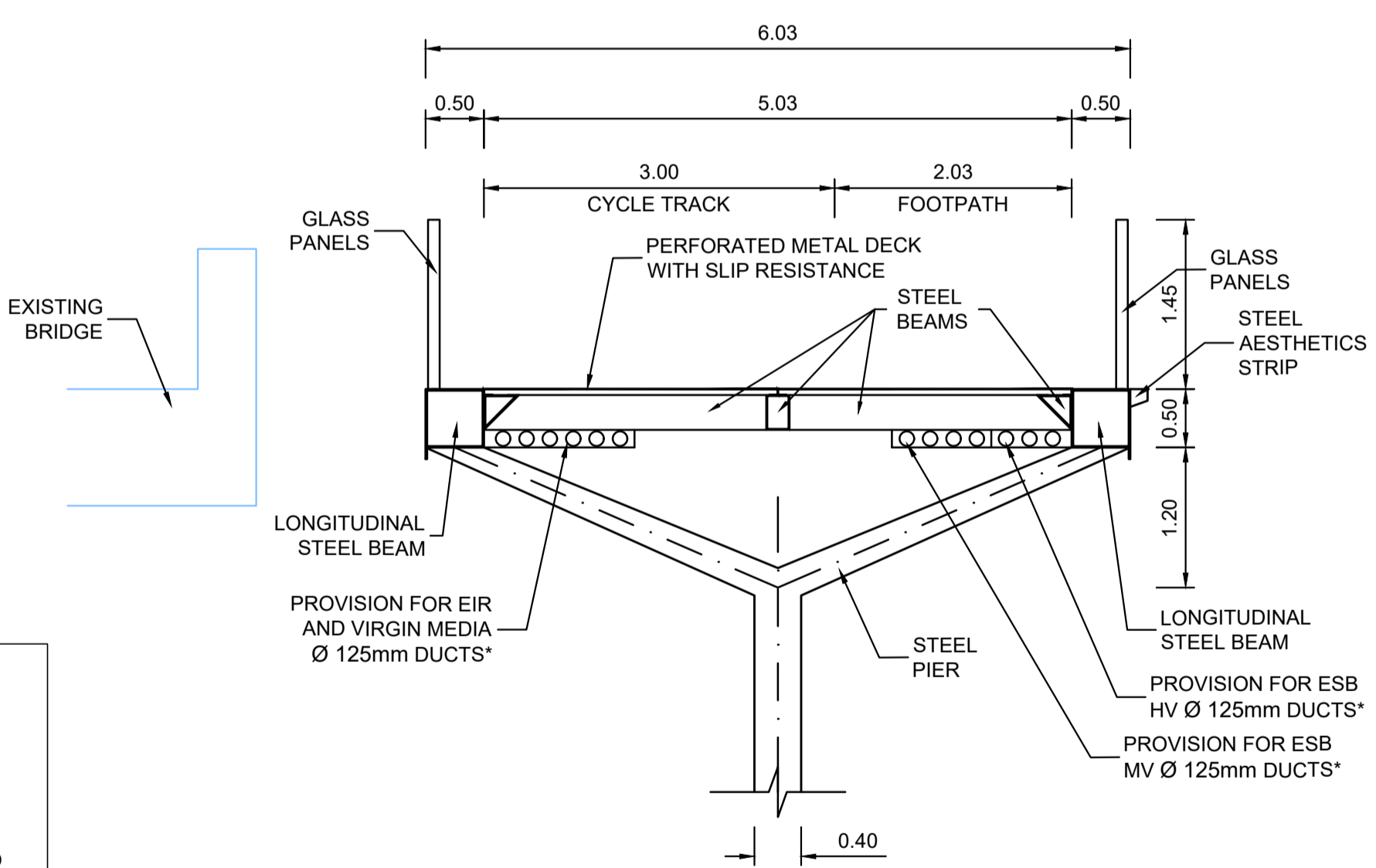
| | | | | |
|---|--------------------------|-------------|------------|--|
| Programme Title BUSCONNECTS DUBLIN CORE BUS CORRIDORS INFRASTRUCTURE WORKS | | | | |
| Drawing Title CBC11 KIMMAGE TO CITY CENTRE CORE BUS CORRIDOR SCHEME STRUCTURES KIMMAGE 01A. GENERAL ARRANGEMENT | | | | |
| Drawing File Name BCIDD-ROT-STR_ZZ-0011_XX_00-DR-SS-0001 | Sheet Number 01 of 02 | Status A | Rev M01 | |

DO NOT SCALE USE FIGURED DIMENSIONS ONLY

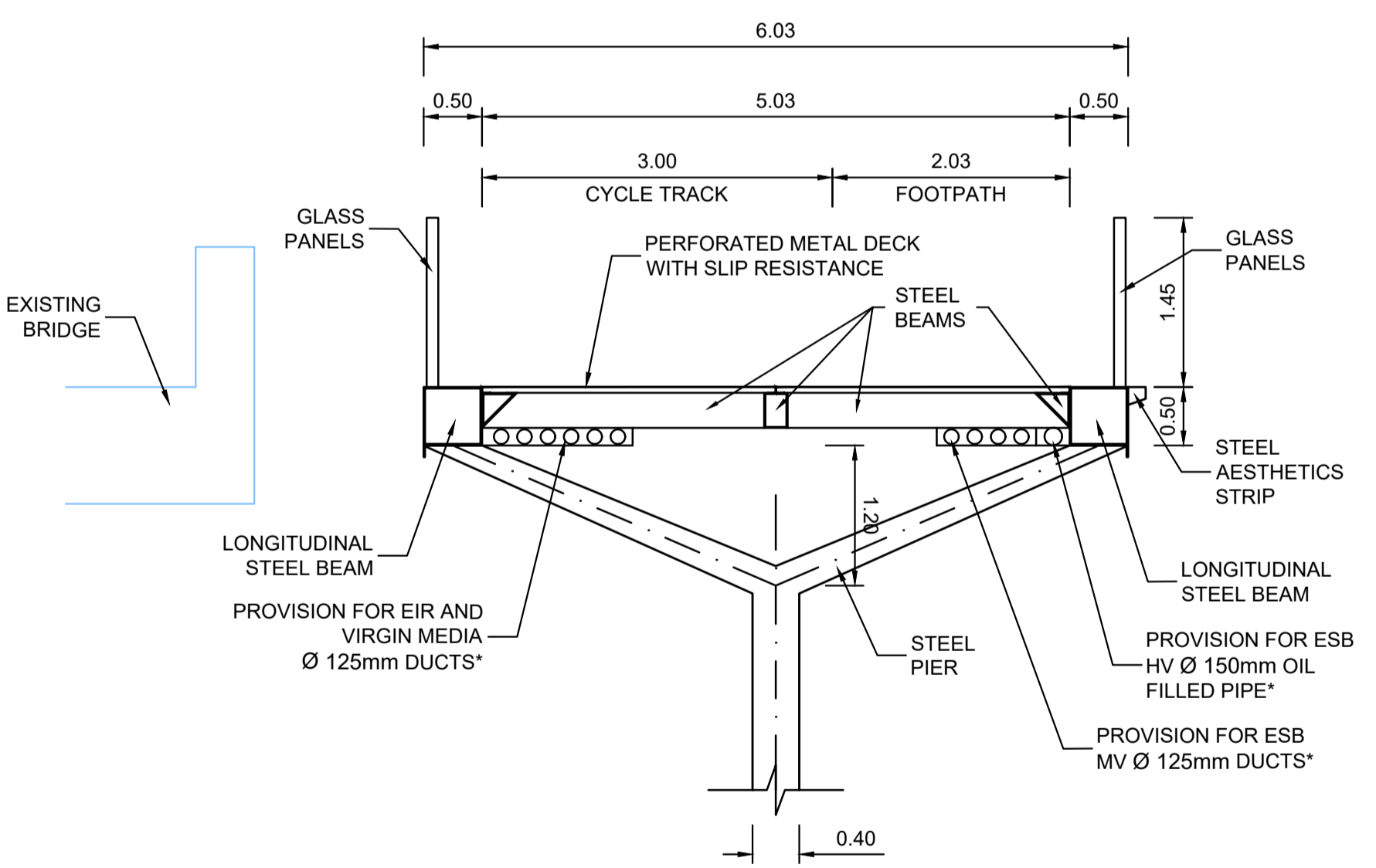
I:\rod\ubarchived\1\multimedia\ROAD\Proj\2019\19117191-04-RECD\TYPSA\2022_12_16 Kimmage Drawings\BCIDD-ROT-STR_ZZ-0011_XX_00-DR-SS-0001.dwg



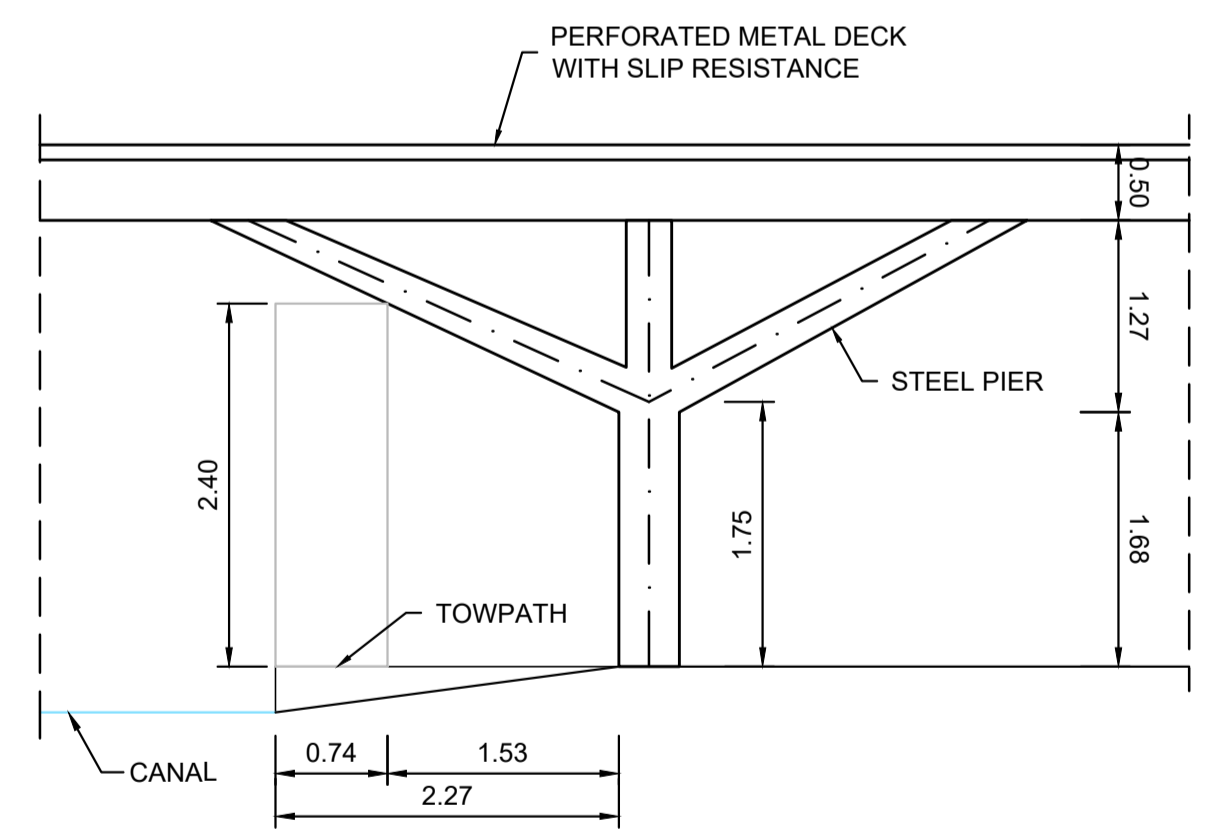
SECTION A-A. LONGITUDINAL SECTION
SCALE 1:50



SECTION B-B. TYPICAL CROSS SECTION
SCALE 1:50



SECTION B-B. TYPICAL CROSS SECTION (SHOWING A SECOND OPTION FOR THE ESB CABLES)
SCALE 1:50



SECTION C-C. SHOWING TOWPATH CLEARANCES
SCALE 1:50

- NOTES:**
- ALL DIMENSIONS ARE IN METRES UNLESS NOTED OTHERWISE.
 - THE GENERAL ARRANGEMENT IS INDICATIVELY ONLY.
 - PRIOR TO THE EXECUTION OF THE WORKS, THE CONTRACTOR MUST CHECK ON SITE THE GEOMETRY AND DIMENSIONS OF THE EXISTING STRUCTURAL ELEMENTS. SHOULD THE CONTRACTOR FIND ANY DISCREPANCY WITH THOSE INDICATED IN THE DRAWINGS, THEN IT SHALL BE COMMUNICATED IMMEDIATELY TO THE PROJECT DIRECTOR PRIOR COMMENCING CONSTRUCTION WORKS.
 - ALL BURIED SURFACES TO BE WATERPROOFED IN ACCORDANCE WITH THE TII SPECIFICATION FOR ROAD WORKS.
 - FOUNDATION DETAILS SUBJECT TO CONFIRMATION OR RECEIPT OF G.I.
 - SAFETY BARRIER IN ACCORDANCE WITH DN-REG-03034
 - STRUCTURAL STEEL ELEMENTS:
 - STEEL S355
 - SERVICES SHOWN INDICATIVELY ONLY. THE CONTRACTOR SHALL IDENTIFY THE SERVICES ON SITE PRIOR COMMENCING CONSTRUCTION WORKS.

Disclaimer
 a. © National Transport Authority (NTA) 2022. This drawing is confidential and the copyright in it is owned by NTA. This drawing must not be either loaned, copied or otherwise reproduced in whole or in part or used for any purpose without the prior permission of NTA.
 b. This drawing is to be used for the design element identified in the titlebox. Other information shown is to be considered indicative only. The drawing is to be read in conjunction with all other relevant design drawings.
 c. O.S. data used for plans are printed under © Ordnance Survey Ireland Government of Ireland. All rights reserved. Licence Number 2022/OSI_NMA_180 National Transport Authority. All elevations are in metres and relate to OSI Geoid Model (OSGM15) Mean Head. All Co-ordinates are in Irish Transverse Mercator Grid (ITM) as defined by OSI active local GPS station.
 d. Information concerning the position of apparatus shown on this drawing is based on drawings supplied by the utility owners and/or the utility works contractor, whilst every care has been taken in the preparation of this drawing, positions should be taken as approximate and are intended for general guidance only and no representation is made by the NTA as to the accuracy, completeness, sufficiency or otherwise of this information. The information contained herein does not purport to be comprehensive or final as the apparatus is subject to being altered and/or superceded. Recipients should not rely on this information. Any liabilities are hereby expressly disclaimed.
 e. The information contained herein has been provided by the NTA but does not purport to be comprehensive or final. Recipients should not rely on the information. Neither the NTA nor any of its directors, officers, employees, agents, stakeholders or advisers make any representation or warranty as to, or accept any liability or responsibility in relation to, the adequacy, accuracy, reasonableness or completeness of the information provided as part of this document or any matter on which the information is based (including but not limited to loss or damage arising as a result of reliance by recipients on the information or any part of it). Any liabilities are hereby expressly disclaimed.

Project Ireland 2040
Building Ireland's Future

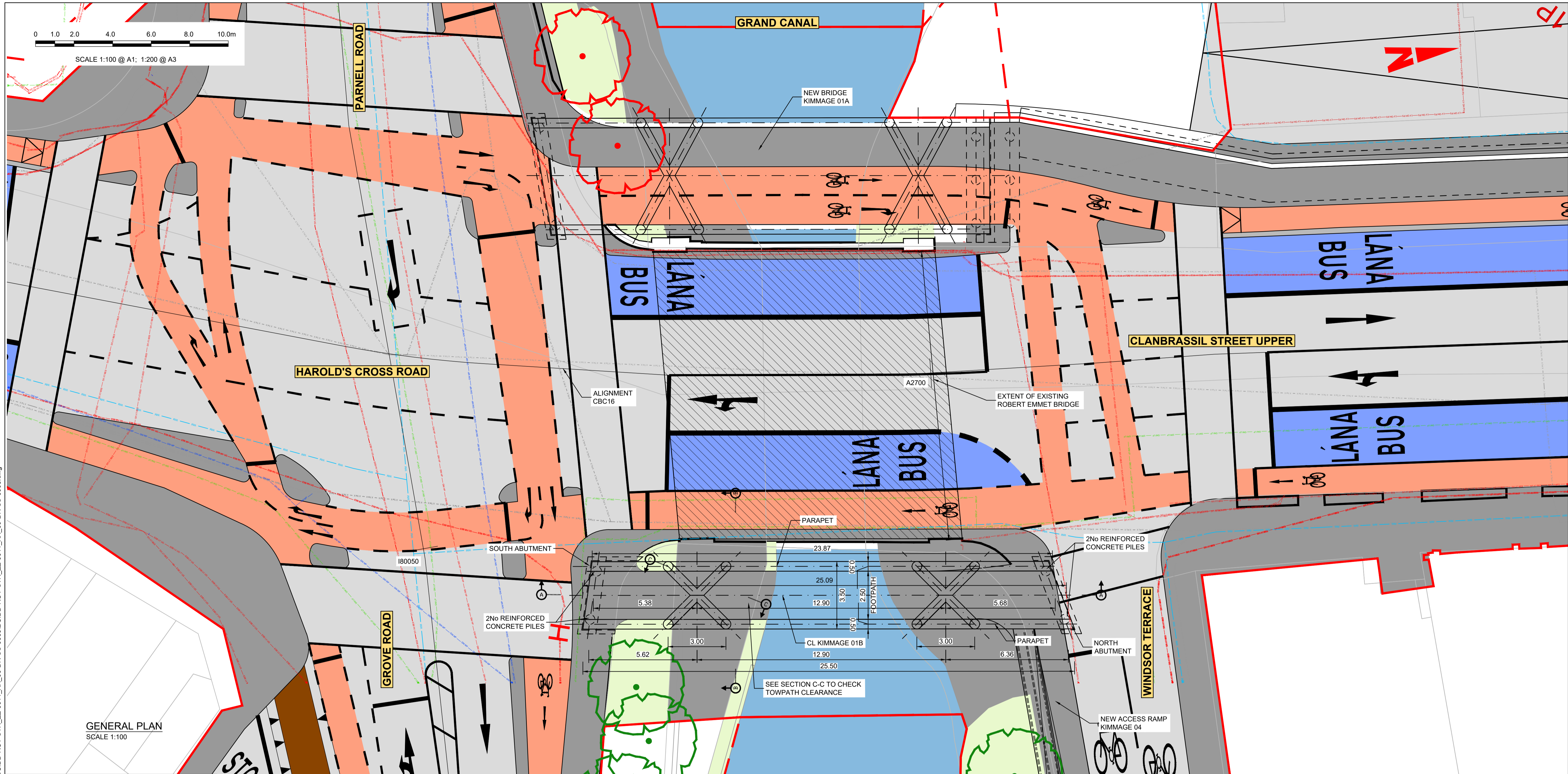
| Rev | Date | Drn | Chk'd | App'd | Description |
|-----|----------|-----|-------|-------|-----------------------------|
| M01 | FEB 2023 | JGE | EFD | SMG | ISSUE FOR PHASE 4: PLANNING |

| | | | | |
|--|----------------------------------|--|----------------|-----------------|
| Client NTA Údarás Náisiúnta Iompair National Transport Authority | | Engineering Designer PROD TYPSA | | |
| Date FEB 2023 | Scale 1:50 @ A1 1:100 @ A3 | Drawn JVG | Checked EFD | Approved SMG |
| Project Code BCIDD | Originator Code ROT | QMS Code | | |

| | | | | |
|--|--------------------------|-------------|------------|--|
| Programme Title BUSCONNECTS DUBLIN CORE BUS CORRIDORS INFRASTRUCTURE WORKS | | | | |
| Drawing Title CBC11 KIMMAGE TO CITY CENTRE CORE BUS CORRIDOR SCHEME STRUCTURES KIMMAGE 01A. SECTIONS | | | | |
| Drawing File Name BCIDD-ROT-STR_ZZ-0011_XX_00-DR-SS-0002 | Sheet Number 02 of 02 | Status A | Rev M01 | |

DO NOT SCALE USE FIGURED DIMENSIONS ONLY

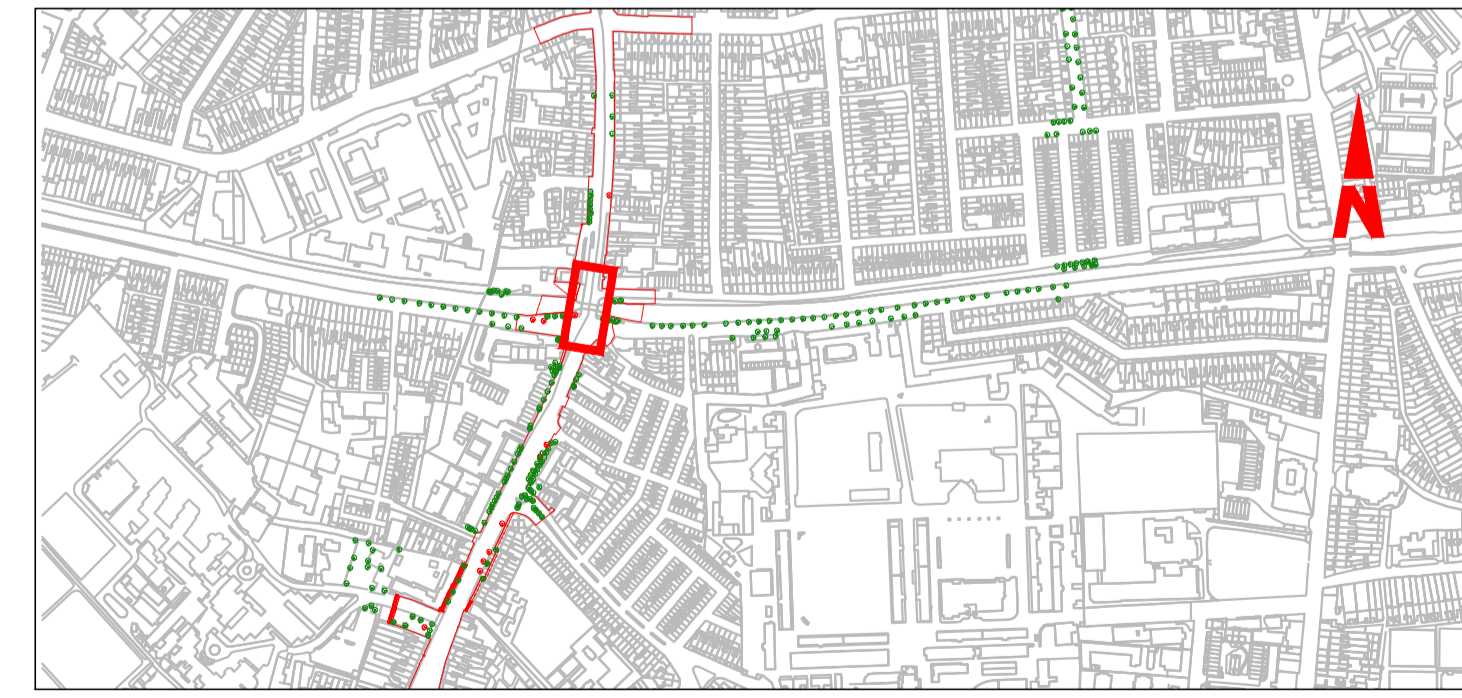
I:\rod\ubarc\hiv\01\multimedia\BCIDD-ROT-STR_ZZ-0011_XX_00-DR-SS-0002\BCIDD-ROT-STR_ZZ-0011_XX_00-DR-SS-0002.dwg



GENERAL PLAN
SCALE 1:100

NOTES:

1. ALL DIMENSIONS ARE IN METRES UNLESS NOTED OTHERWISE.
2. THE GENERAL ARRANGEMENT IS INDICATIVELY ONLY.
3. PRIOR TO THE EXECUTION OF THE WORKS, THE CONTRACTOR MUST CHECK ON SITE THE GEOMETRY AND DIMENSIONS OF THE EXISTING STRUCTURAL ELEMENTS. SHOULD THE CONTRACTOR FIND ANY DISCREPANCY WITH THOSE INDICATED IN THE DRAWINGS, THEN IT SHALL BE COMMUNICATED IMMEDIATELY TO THE PROJECT DIRECTOR PRIOR COMMENCING CONSTRUCTION WORKS.
4. ALL BURIED SURFACES TO BE WATERPROOFED IN ACCORDANCE WITH THE TII SPECIFICATION FOR ROAD WORKS.
5. FOUNDATION DETAILS SUBJECT TO CONFIRMATION OR RECEIPT OF G.I.
6. SAFETY BARRIER IN ACCORDANCE WITH DN-REG-03034
7. STRUCTURAL STEEL ELEMENTS:
- STEEL S355
8. SERVICES SHOWN INDICATIVELY ONLY. THE CONTRACTOR SHALL IDENTIFY THE SERVICES ON SITE PRIOR COMMENCING CONSTRUCTION WORKS.



KEY PLAN

Disclaimer
 a. © National Transport Authority (NTA) 2022. This drawing is confidential and the copyright in it is owned by NTA. This drawing must not be either loaned, copied or otherwise reproduced in whole or in part or used for any purpose without the prior permission of NTA.
 b. This drawing is to be used for the design element identified in the titleblock. Other information shown is to be considered indicative only. The drawing is to be read in conjunction with all other relevant design drawings.
 c. O.S. data used for plans are printed under © Ordnance Survey Ireland Government of Ireland. All rights reserved. Licence Number 2022/OSI_NMA_180 National Transport Authority. All elevations are in metres and relate to OSI Geoid Model (OSGM15) Mean Head. All Co-ordinates are in Irish Transverse Mercator Grid (ITM) as defined by OSI active local GPS station.
 d. Information concerning the position of apparatus shown on this drawing is based on drawings supplied by the utility owners and/or the utility works contractor, whilst every care has been taken in the preparation of this drawing, positions should be taken as approximate and are intended for general guidance only and no representation is made by the NTA as to the accuracy, completeness, sufficiency or otherwise of this drawing and the position of the apparatus. The information contained herein does not purport to be comprehensive or final as the apparatus is subject to being altered and/or superceded. Recipients should not rely on this information. Any liabilities are hereby expressly disclaimed.
 e. The information contained herein has been provided by the NTA but does not purport to be comprehensive or final. Recipients should not rely on the information. Neither the NTA nor any of its directors, officers, employees, agents, stakeholders or advisers make any representation or warranty as to, or accept any liability or responsibility in relation to, the adequacy, accuracy, reasonableness or completeness of the information provided as part of this document or any matter on which the information is based (including but not limited to loss or damage arising as a result of reliance by recipients on the information or any part of it). Any liabilities are hereby expressly disclaimed.



| Rev | Date | Drn | Chk'd | App'd | Description |
|-----|----------|-----|-------|-------|-----------------------------|
| M01 | FEB 2023 | JGE | EFD | SMG | ISSUE FOR PHASE 4: PLANNING |

Client
NTA
 Údarás Náisiúnta Iompair
 National Transport Authority

Engineering Designer
IROD
 TYP SA

Date
 FEB 2023

Scale
 1:100 @ A1
 1:200 @ A3

Drawn
 JVJ

Checked
 EFD

Approved
 SMG

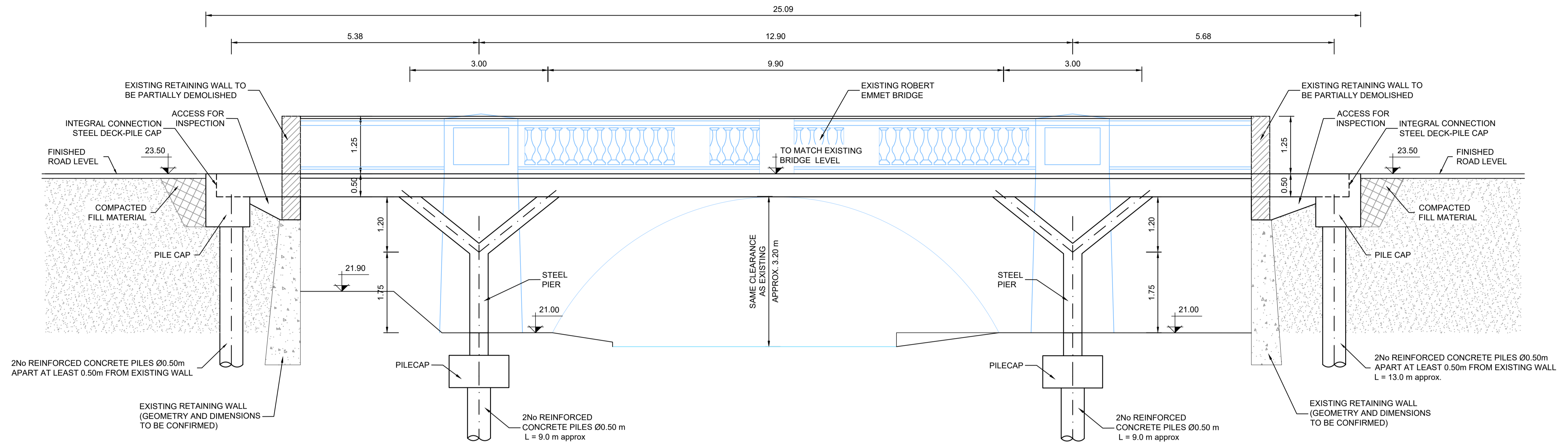
Project Code
 BCIDD

Originator Code
 ROT

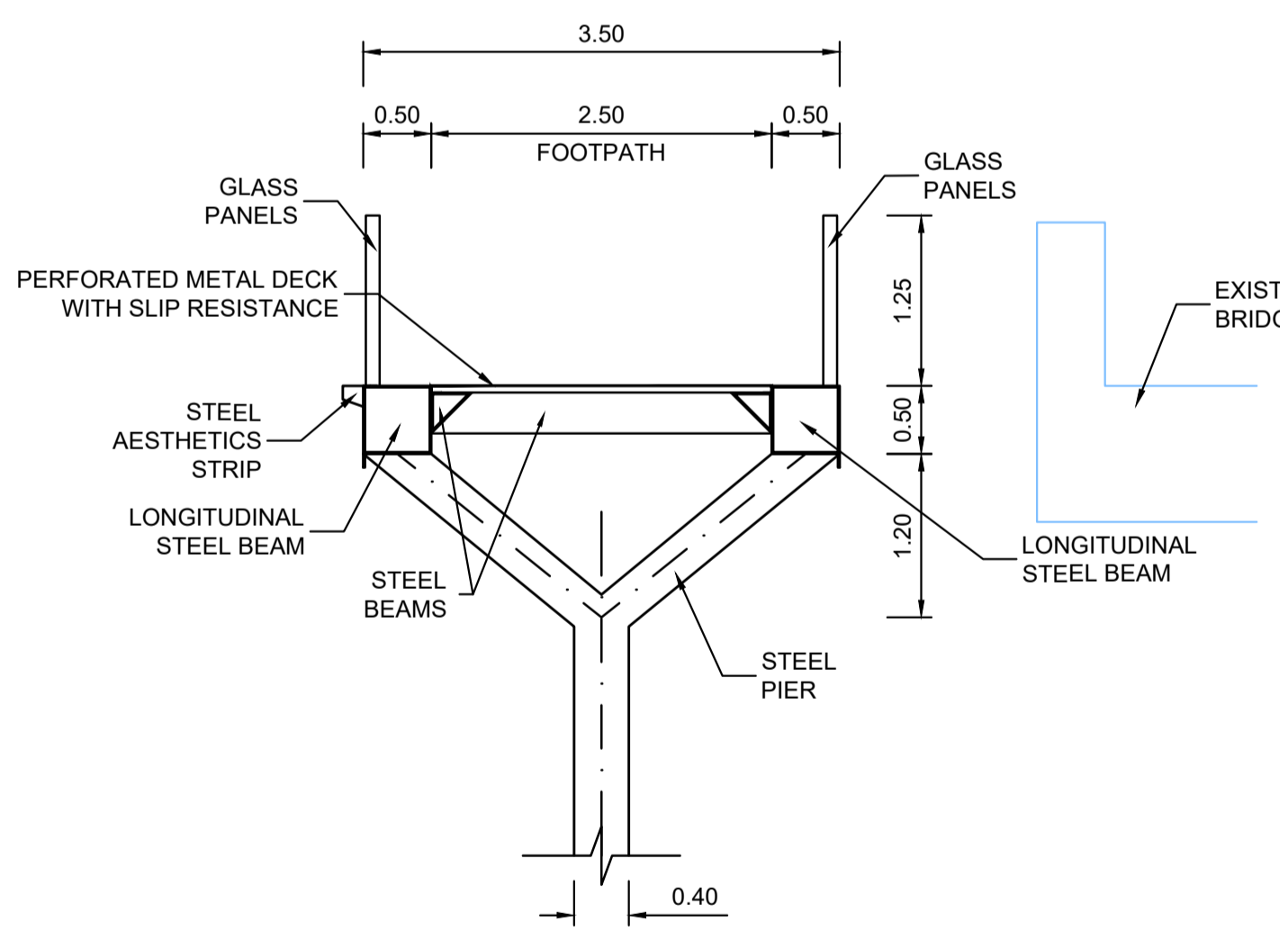
QMS Code

| | |
|---|--------------------------|
| Programme Title BUSCONNECTS DUBLIN CORE BUS CORRIDORS INFRASTRUCTURE WORKS | |
| Drawing Title CBC11 KIMMAGE TO CITY CENTRE CORE BUS CORRIDOR SCHEME STRUCTURES KIMMAGE 01B. GENERAL ARRANGEMENT | |
| Drawing File Name BCIDD-ROT-STR_ZZ-0011_XX_00-DR-SS-0003 | Sheet Number 01 of 02 |
| Status A | Rev M01 |

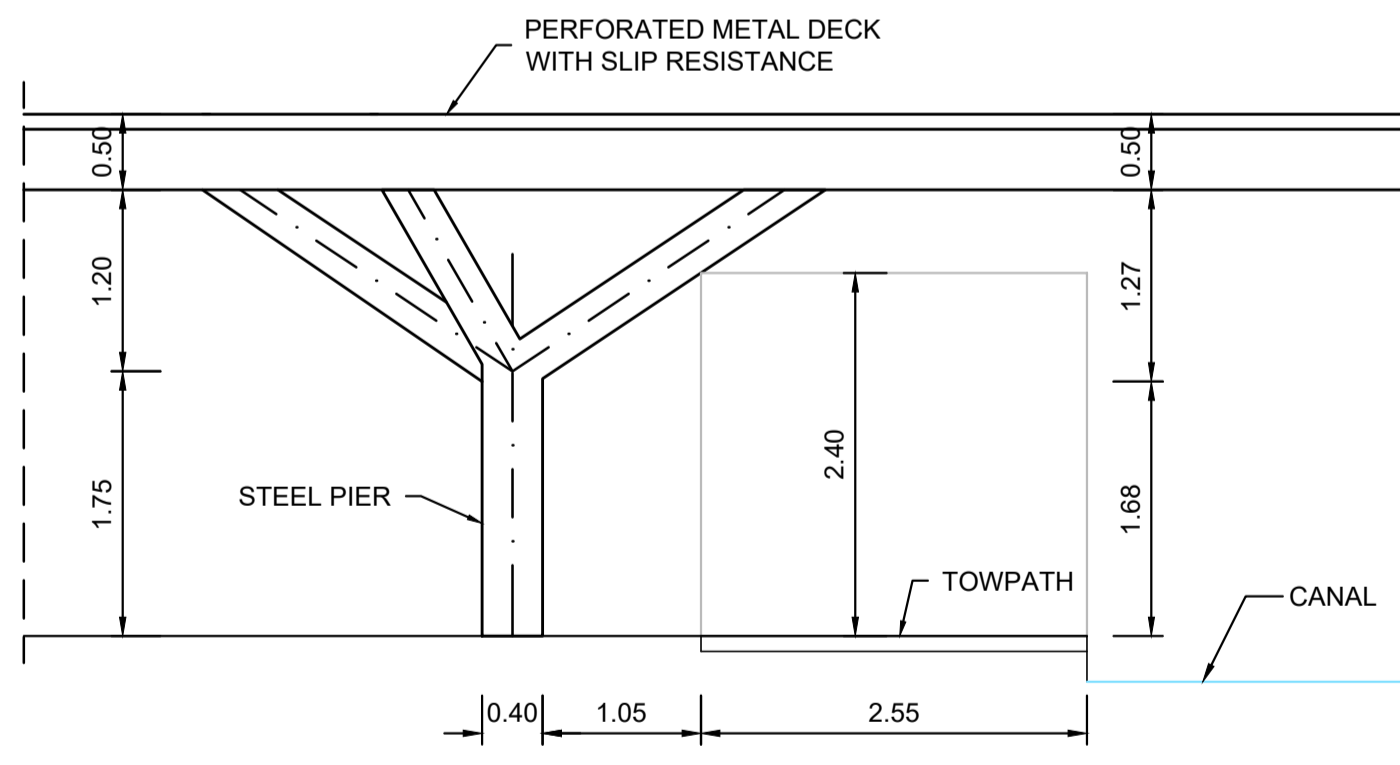
I:\rod\ubarchived\1\multimedia\ROD\Proj\2019\191171-04-RECDD\16 Kimmage Drawings\BCIDD-ROT-STR_ZZ-0011_XX_00-DR-SS-0003.dwg



SECTION A-A. LONGITUDINAL SECTION
SCALE 1:50



SECTION B-B. TYPICAL CROSS SECTION
SCALE 1:50



SECTION C-C. SHOWING TOWPATH CLEARANCES
SCALE 1:50

NOTES:

- ALL DIMENSIONS ARE IN METRES UNLESS NOTED OTHERWISE.
- THE GENERAL ARRANGEMENT IS INDICATIVELY ONLY.
- PRIOR TO THE EXECUTION OF THE WORKS, THE CONTRACTOR MUST CHECK ON SITE THE GEOMETRY AND DIMENSIONS OF THE EXISTING STRUCTURAL ELEMENTS. SHOULD THE CONTRACTOR FIND ANY DISCREPANCY WITH THOSE INDICATED IN THE DRAWINGS, THEN IT SHALL BE COMMUNICATED IMMEDIATELY TO THE PROJECT DIRECTOR PRIOR COMMENCING CONSTRUCTION WORKS.
- ALL BURIED SURFACES TO BE WATERPROOFED IN ACCORDANCE WITH THE TII SPECIFICATION FOR ROAD WORKS.
- FOUNDATION DETAILS SUBJECT TO CONFIRMATION OR RECEIPT OF G.I.
- SAFETY BARRIER IN ACCORDANCE WITH DN-REG-03034
- STRUCTURAL STEEL ELEMENTS:
- STEEL S355
- SERVICES SHOWN INDICATIVELY ONLY. THE CONTRACTOR SHALL IDENTIFY THE SERVICES ON SITE PRIOR COMMENCING CONSTRUCTION WORKS.

Disclaimer
a. © National Transport Authority (NTA) 2022. This drawing is confidential and the copyright in it is owned by NTA. This drawing must not be either loaned, copied or otherwise reproduced in whole or in part or used for any purpose without the prior permission of NTA.
b. This drawing is to be used for the design element identified in the titleblock. Other information shown is to be considered indicative only. The drawing is to be read in conjunction with all other relevant design drawings.
c. O.S. data used for plans are printed under © Ordnance Survey Ireland Government of Ireland. All rights reserved. Licence Number 2022/OSI_NMA_180 National Transport Authority. All elevations are in metres and relate to OSI Geoid Model (OSGM15) Mean Head. All Co-ordinates are in Irish Transverse Mercator Grid (ITM) as defined by OSI active local GPS station.
d. Information concerning the position of apparatus shown on this drawing is based on drawings supplied by the utility owners and/or the utility works contractor, whilst every care has been taken in the preparation of this drawing, positions should be taken as approximate and are intended for general guidance only and no representation is made by the NTA as to the accuracy, completeness, sufficiency or otherwise of this drawing and the position of the apparatus. The information contained herein does not purport to be comprehensive or final as the apparatus is subject to being altered and/or superceded. Recipients should not rely on this information. Any liabilities are hereby expressly disclaimed.
e. The information contained herein has been provided by the NTA but does not purport to be comprehensive or final. Recipients should not rely on the information. Neither the NTA nor any of its directors, officers, employees, agents, stakeholders or advisers make any representation or warranty as to, or accept any liability or responsibility in relation to, the adequacy, accuracy, reasonableness or completeness of the information provided as part of this document or any matter on which the information is based (including but not limited to loss or damage arising as a result of reliance by recipients on the information or any part of it). Any liabilities are hereby expressly disclaimed.

Project Ireland 2040
Building Ireland's Future

| Rev | Date | Drm | Chk'd | App'd | Description |
|-----|----------|-----|-------|-------|-----------------------------|
| M01 | FEB 2023 | JGE | EFD | SMG | ISSUE FOR PHASE 4: PLANNING |

Client
NTA
Udarás Náisiúnta Iompair
National Transport Authority

Engineering Designer
I-ROD
TYPSA

Date
FEB 2023

Scale
1:50 @ A1
1:100 @ A3

Drawn
JVJ

Checked
EFD

Approved
SMG

Project Code
BCIDD

Originator Code
ROT

QMS Code

Programme Title
BUSCONNECTS DUBLIN
CORE BUS CORRIDORS INFRASTRUCTURE WORKS

Drawing Title
CBC11
KIMMAGE TO CITY CENTRE CORE BUS CORRIDOR SCHEME
STRUCTURES
KIMMAGE 01B. SECTIONS

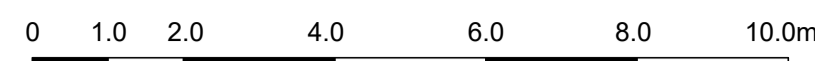
Drawing File Name
BCIDD-ROT-STR_ZZ-0011_XX_00-DR-SS-0004

Sheet Number
02 of 02

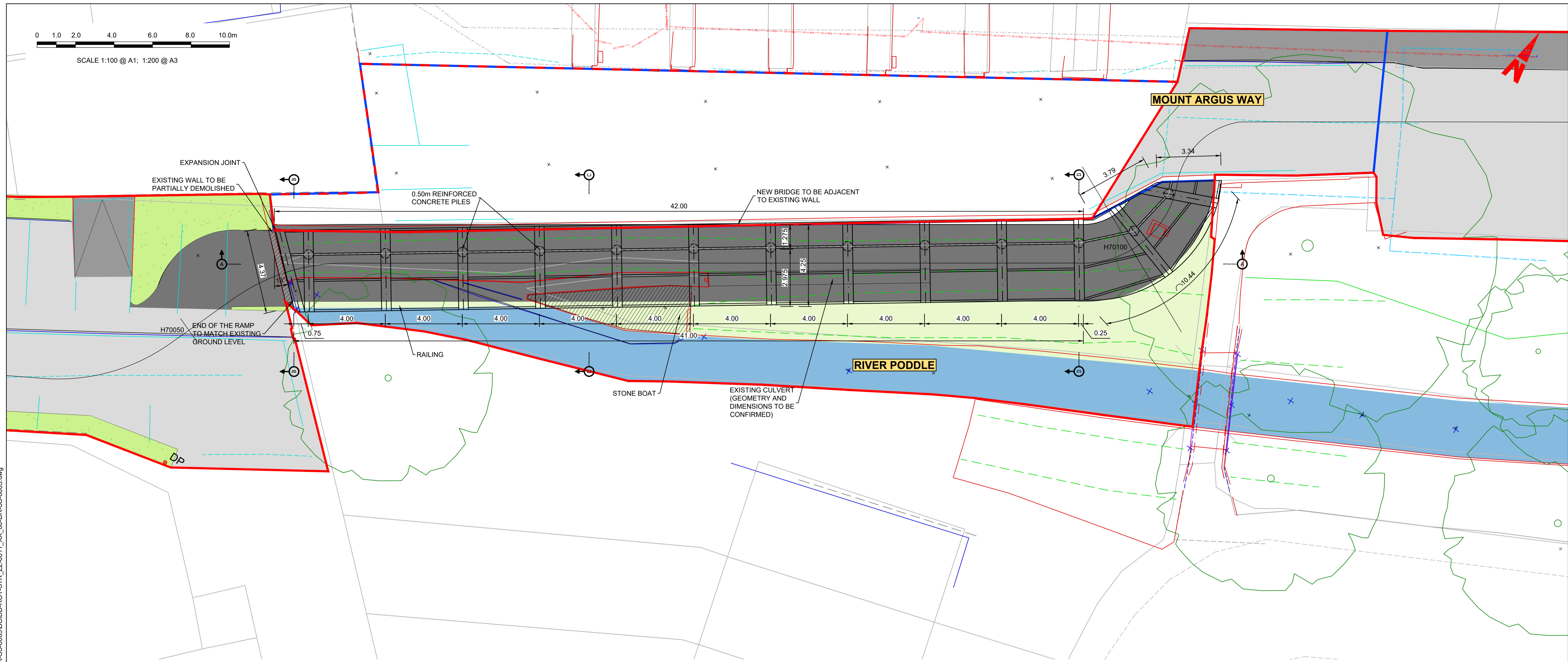
Status
A

Rev
M01

I:\rod\ubarchived\1\multimedia\I-ROD\Proj\2019\1911719117-04-RECD\1_TYPSA\2022_12_16_Kimmage Drawings\BCIDD-ROT-STR_ZZ-0011_XX_00-DR-SS-0004.dwg



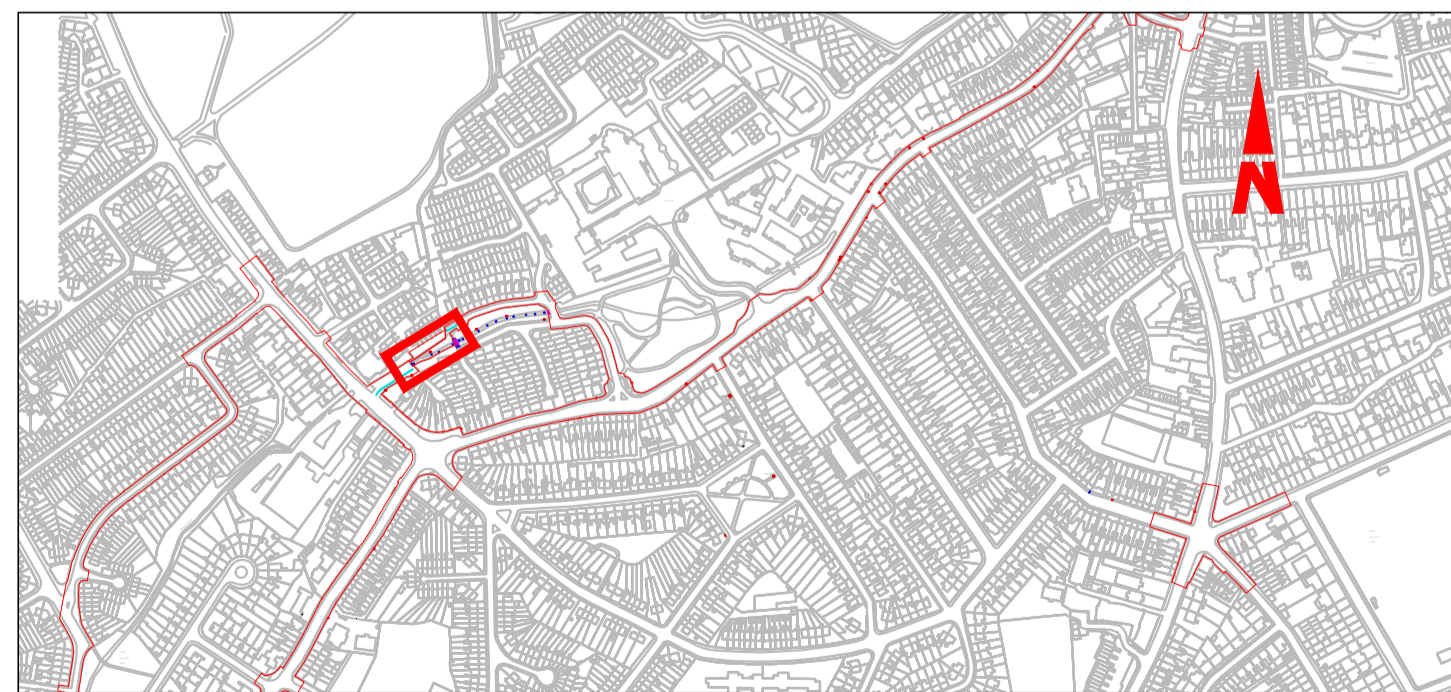
SCALE 1:100 @ A1; 1:200 @ A3



GENERAL PLAN
SCALE 1:100

NOTES:

1. ALL DIMENSIONS ARE IN METRES UNLESS NOTED OTHERWISE.
2. THE GENERAL ARRANGEMENT IS INDICATIVELY ONLY.
3. PRIOR TO THE EXECUTION OF THE WORKS, THE CONTRACTOR MUST CHECK ON SITE THE GEOMETRY AND DIMENSIONS OF THE EXISTING STRUCTURAL ELEMENTS. SHOULD THE CONTRACTOR FIND ANY DISCREPANCY WITH THOSE INDICATED IN THE DRAWINGS, THEN IT SHALL BE COMMUNICATED IMMEDIATELY TO THE PROJECT DIRECTOR PRIOR COMMENCING CONSTRUCTION WORKS.
4. ALL BURIED SURFACES TO BE WATERPROOFED IN ACCORDANCE WITH THE TII SPECIFICATION FOR ROAD WORKS.
5. FOUNDATION DETAILS SUBJECT TO CONFIRMATION OR RECEIPT OF G.I.
6. SAFETY BARRIER IN ACCORDANCE WITH DN-REG-03034
7. SERVICES SHOWN INDICATIVELY ONLY. THE CONTRACTOR SHALL IDENTIFY THE SERVICES ON SITE PRIOR COMMENCING CONSTRUCTION WORKS.



KEY PLAN

Disclaimer
 a. © National Transport Authority (NTA) 2022. This drawing is confidential and the copyright in it is owned by NTA. This drawing must not be either loaned, copied or otherwise reproduced in whole or in part or used for any purpose without the prior permission of NTA.
 b. This drawing is to be used for the design element identified in the titleblock. Other information shown is to be considered indicative only. The drawing is to be read in conjunction with all other relevant design drawings.
 c. O.S. data used for plans are printed under © Ordnance Survey Ireland Government of Ireland. All rights reserved. Licence Number 2022/O.SI_NMA_180 National Transport Authority. All elevations are in metres and relate to OSI Geoid Model (OSGM15) Mean Head. All Co-ordinates are in Irish Transverse Mercator Grid (ITM) as defined by OSI active local GPS station.
 d. Information concerning the position of apparatus shown on this drawing is based on drawings supplied by the utility owners and/or the utility works contractor, whilst every care has been taken in the preparation of this drawing, positions should be taken as approximate and are intended for general guidance only and no representation is made by the NTA as to the accuracy, completeness, sufficiency or otherwise of this drawing and the position of the apparatus. The information contained herein does not purport to be comprehensive or final as the apparatus is subject to being altered and/or superceded. Recipients should not rely on this information. Any liabilities are hereby expressly disclaimed.
 e. The information contained herein has been provided by the NTA but does not purport to be comprehensive or final. Recipients should not rely on the information. Neither the NTA nor any of its directors, officers, employees, agents, stakeholders or advisers make any representation or warranty as to, or accept any liability or responsibility in relation to, the adequacy, accuracy, reasonableness or completeness of the information provided as part of this document or any matter on which the information is based (including but not limited to loss or damage arising as a result of reliance by recipients on the information or any part of it). Any liabilities are hereby expressly disclaimed.



| Rev | Date | Drm | Chk'd | App'd | Description |
|-----|----------|-----|-------|-------|-----------------------------|
| M01 | FEB 2023 | JVG | EFD | SMG | ISSUE FOR PHASE 4: PLANNING |

Client

 Údarás Náisiúnta Iompair
 National Transport Authority

Engineering Designer

 I-Rod
 TYPSA

Programme Title
BUSCONNECTS DUBLIN
CORE BUS CORRIDORS INFRASTRUCTURE WORKS

Drawing Title
 CBC11
 KIMMAGE TO CITY CENTRE CORE BUS CORRIDOR SCHEME
 STRUCTURES
 KIMMAGE 02. GENERAL ARRANGEMENT

| | | | | |
|--------------|--------------------------|----------|---------|----------|
| Date | Scale | Drawn | Checked | Approved |
| FEB 2023 | 1:100 @ A1 1:200 @ A3 | JVG | EFD | SMG |
| Project Code | Originator Code | QMS Code | | |
| BCIDD | ROT | | | |

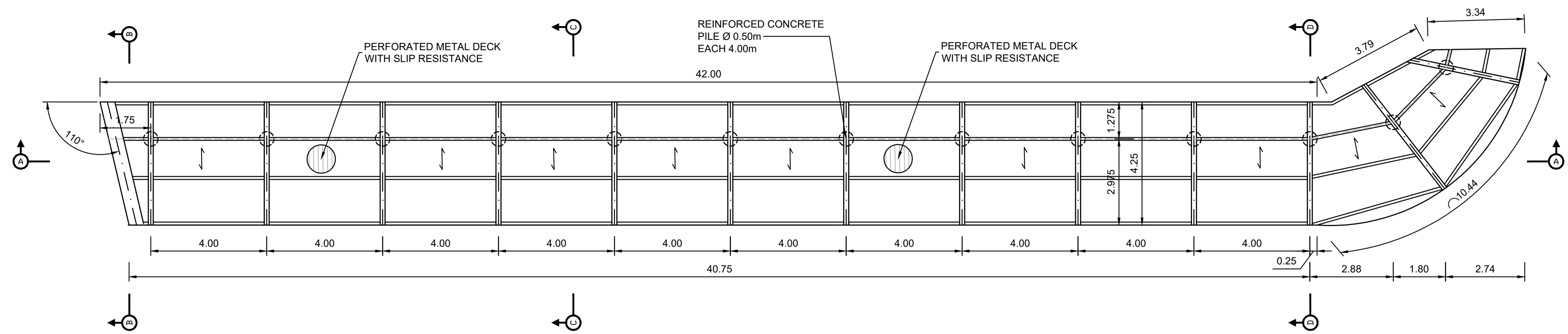
| | | | |
|--|--------------|--------|-----|
| Drawing File Name | Sheet Number | Status | Rev |
| BCIDD-ROT-STR_ZZ-0011_XX_00-DR-SS-0005 | 01 of 02 | A | M01 |

DO NOT SCALE USE FIGURED DIMENSIONS ONLY

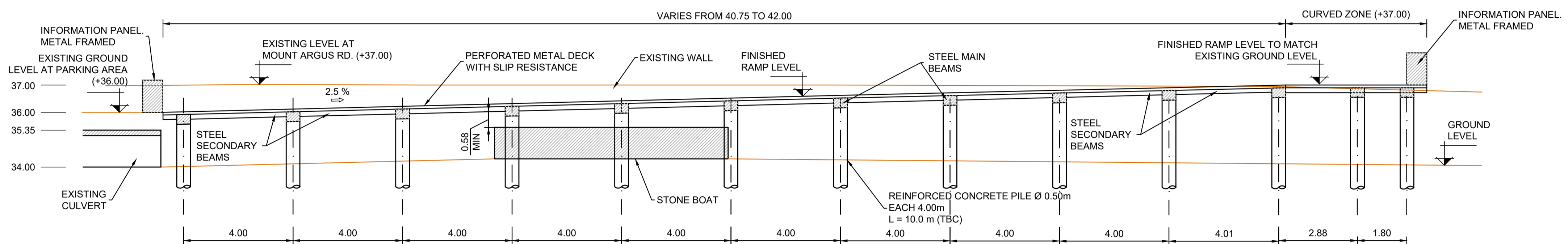
\\rodubarcache\rod\proj\2019\19117-04-RECDD\TYPSA\2022_12_16\Kimmage Drawings\BCIDD-ROT-STR_ZZ-0011_XX_00-DR-SS-0005.dwg



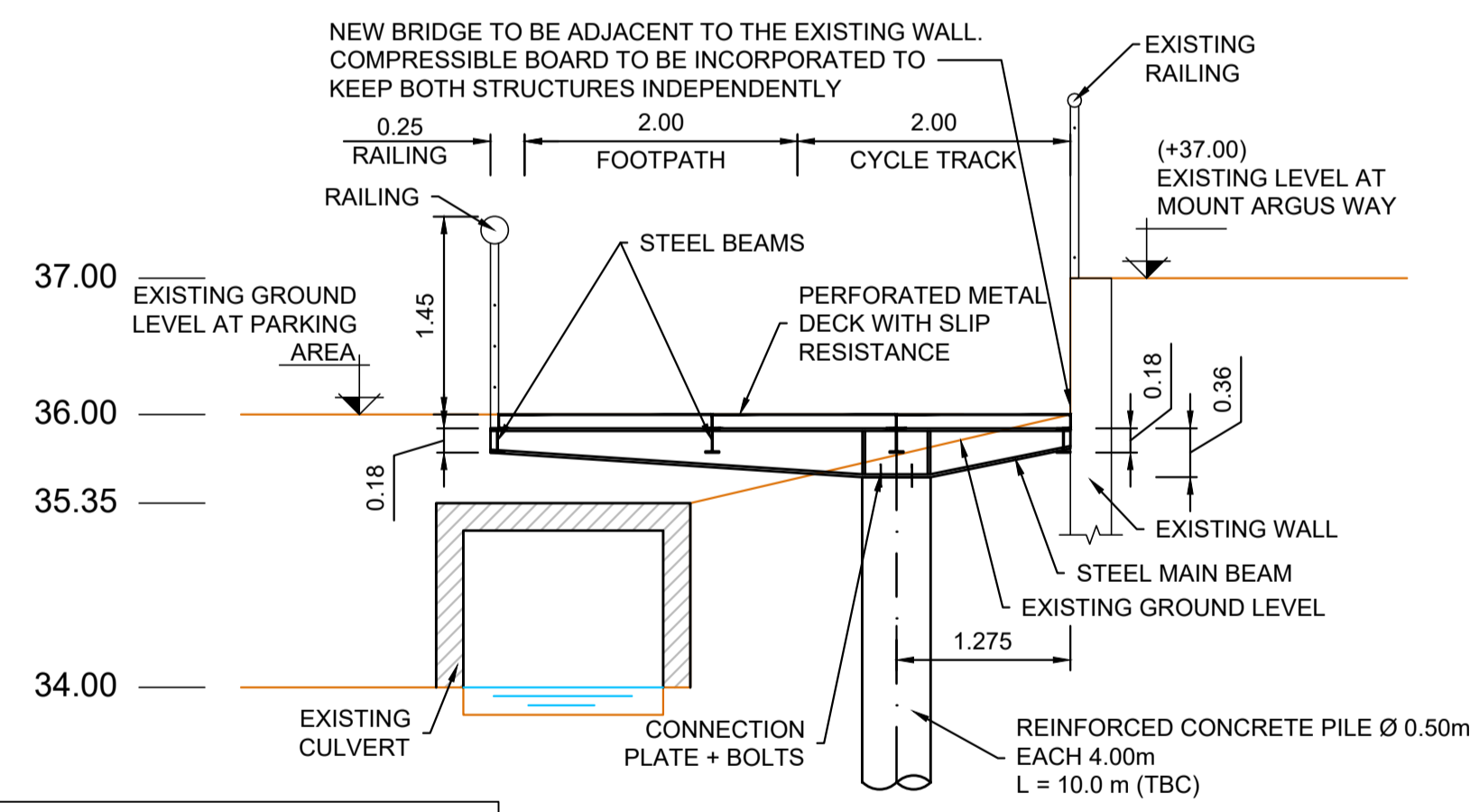
SCALE 1:100 @ A1; 1:200 @ A3



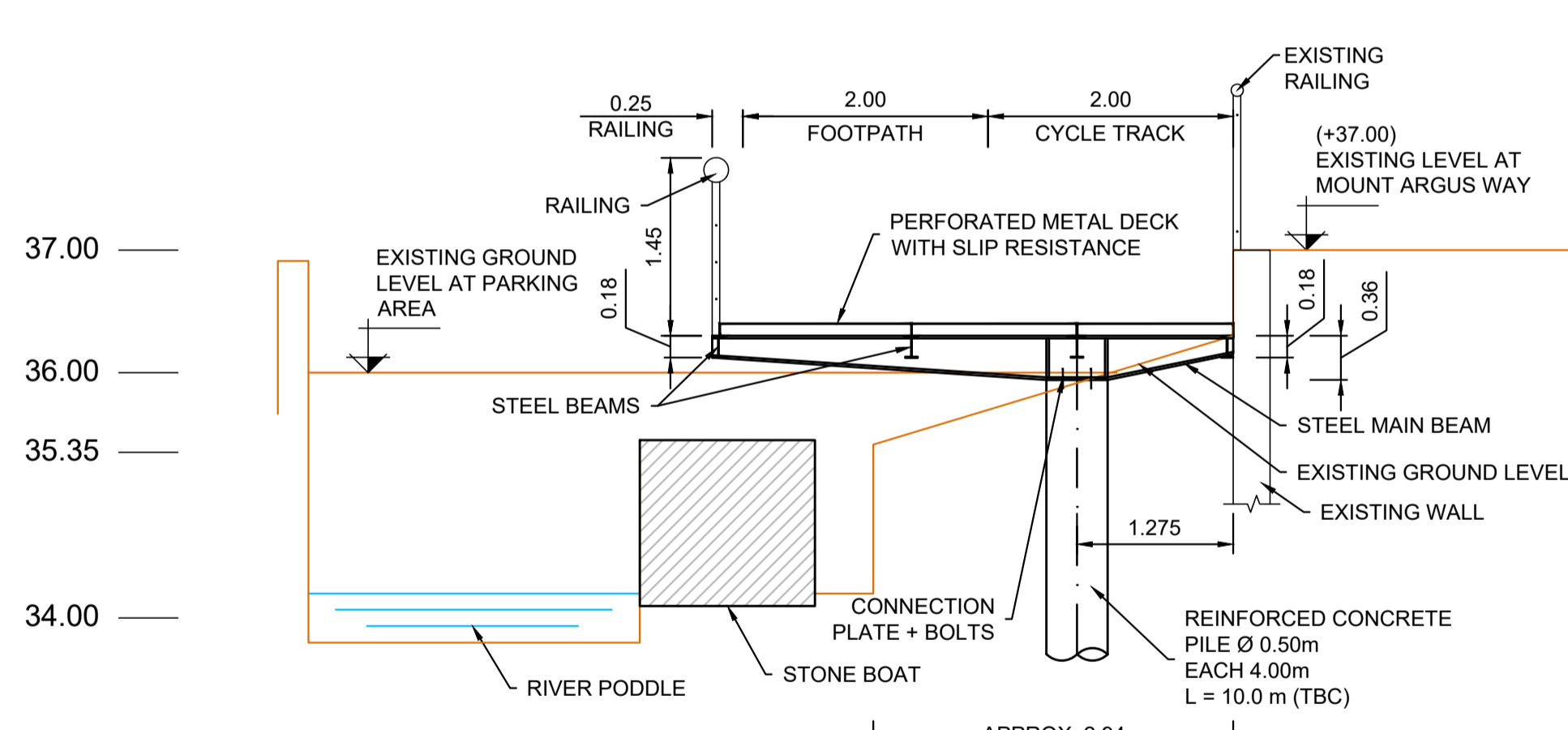
GENERAL PLAN
SCALE 1:100



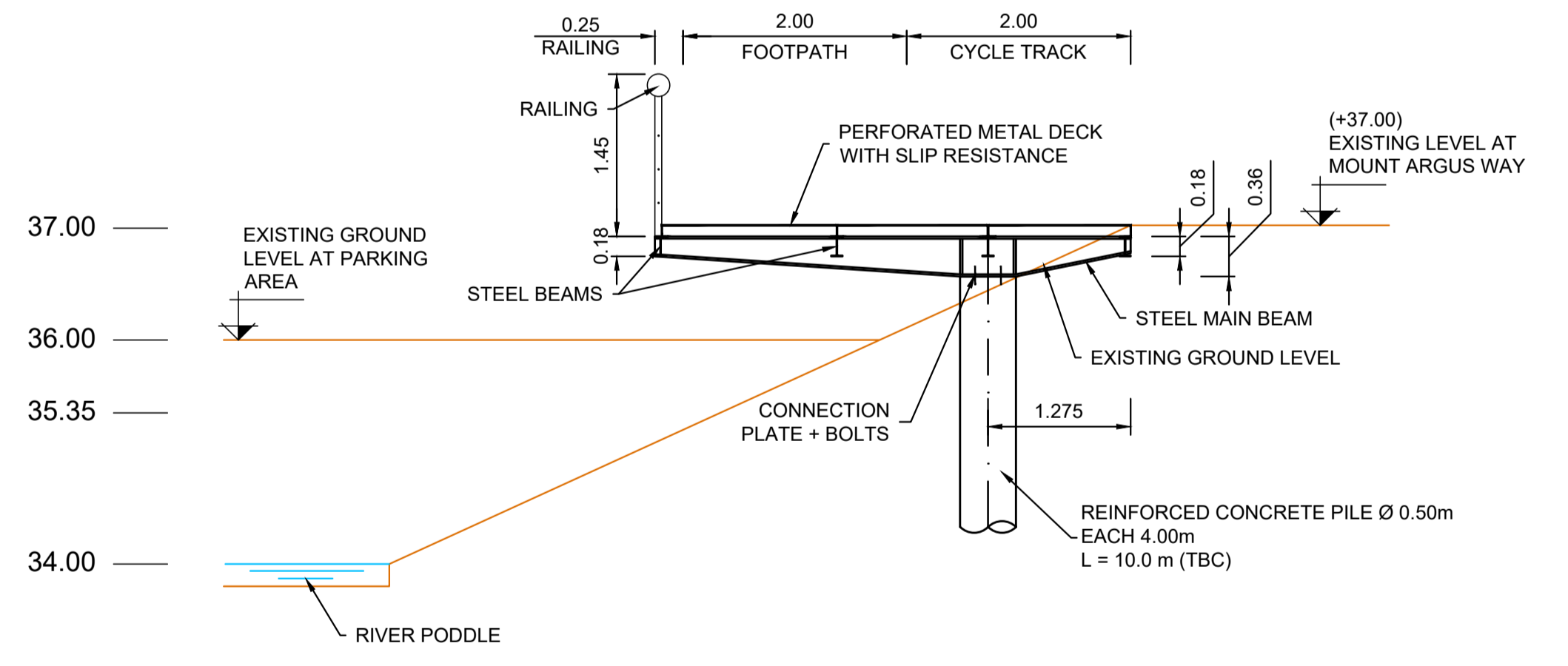
LONGITUDINAL SECTION A-A
SCALE 1:100



SECTION B-B
SCALE 1:50



SECTION C-C
SCALE 1:50



SECTION D-D
SCALE 1:50

NOTES:

- ALL DIMENSIONS ARE IN METRES UNLESS NOTED OTHERWISE.
- THE GENERAL ARRANGEMENT IS INDICATIVELY ONLY.
- PRIOR TO THE EXECUTION OF THE WORKS, THE CONTRACTOR MUST CHECK ON SITE THE GEOMETRY AND DIMENSIONS OF THE EXISTING STRUCTURAL ELEMENTS. SHOULD THE CONTRACTOR FIND ANY DISCREPANCY WITH THOSE INDICATED IN THE DRAWINGS, THEN IT SHALL BE COMMUNICATED IMMEDIATELY TO THE PROJECT DIRECTOR PRIOR COMMENCING CONSTRUCTION WORKS.
- ALL BURIED SURFACES TO BE WATERPROOFED IN ACCORDANCE WITH THE TII SPECIFICATION FOR ROAD WORKS.
- FOUNDATION DETAILS SUBJECT TO CONFIRMATION OR RECEIPT OF G.I.
- SAFETY BARRIER IN ACCORDANCE WITH DN-REG-03034
- SERVICES SHOWN INDICATIVELY ONLY. THE CONTRACTOR SHALL IDENTIFY THE SERVICES ON SITE PRIOR COMMENCING CONSTRUCTION WORKS.

Disclaimer
 a. © National Transport Authority (NTA) 2022. This drawing is confidential and the copyright in it is owned by NTA. This drawing must not be either loaned, copied or otherwise reproduced in whole or in part or used for any purpose without the prior permission of NTA.
 b. This drawing is to be used for the design element identified in the titlebox. Other information shown is to be considered indicative only. The drawing is to be read in conjunction with all other relevant design drawings.
 c. O.S. data used for plans are printed under © Ordnance Survey Ireland Government of Ireland. All rights reserved. Licence Number 2022/OSI_NMA_180 National Transport Authority. All elevations are in metres and relate to OSI Geoid Model (OSGM15) Mean Head. All Co-ordinates are in Irish Transverse Mercator Grid (ITM) as defined by OSI active local GPS station.
 d. Information concerning the position of apparatus shown on this drawing is based on drawings supplied by the utility owners and/or the utility works contractor, whilst every care has been taken in the preparation of this drawing, positions should be taken as approximate and are intended for general guidance only and no representation is made by the NTA as to the accuracy, completeness, sufficiency or otherwise of this drawing and the position of the apparatus. The information contained herein does not purport to be comprehensive or final as the apparatus is subject to being altered and/or superceded. Recipients should not rely on this information. Any liabilities are hereby expressly disclaimed.
 e. The information contained herein has been provided by the NTA but does not purport to be comprehensive or final. Recipients should not rely on the information. Neither the NTA nor any of its directors, officers, employees, agents, stakeholders or advisers make any representation or warranty as to, or accept any liability or responsibility in relation to, the adequacy, accuracy, reasonableness or completeness of the information provided as part of this document or any matter on which the information is based (including but not limited to loss or damage arising as a result of reliance by recipients on the information or any part of it). Any liabilities are hereby expressly disclaimed.



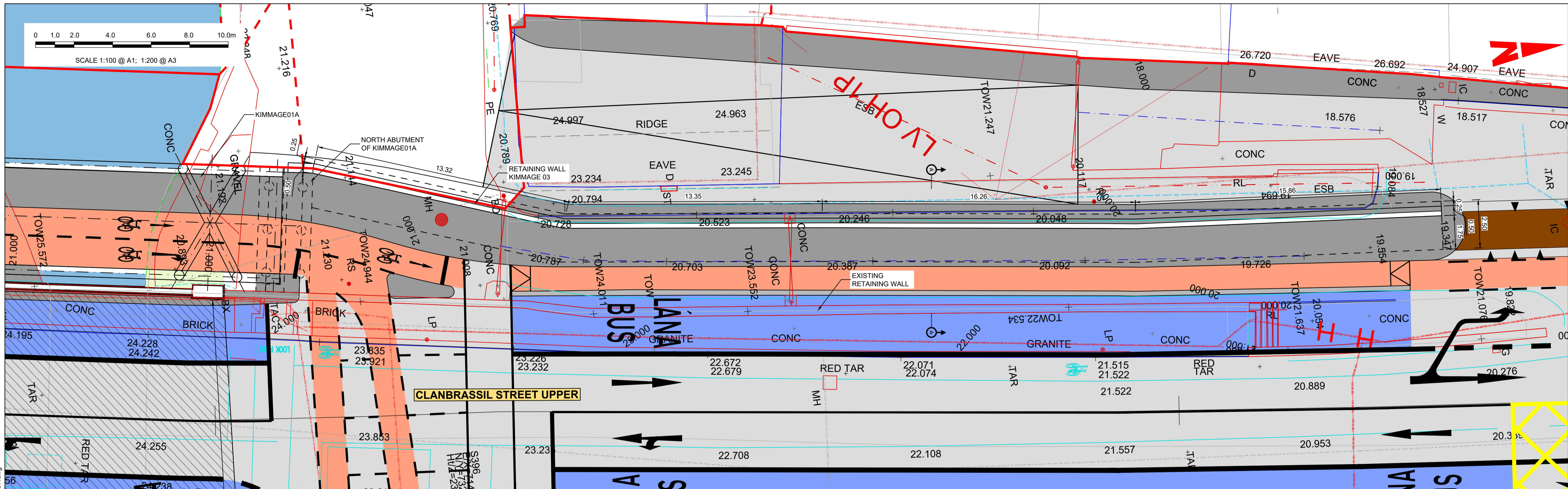
| Rev | Date | Drn | Chk'd | App'd | Description |
|-----|----------|-----|-------|-------|-----------------------------|
| M01 | FEB 2023 | JGE | EFD | SMG | ISSUE FOR PHASE 4: PLANNING |

| | | | | |
|--|-----------------------------------|--|----------------|-----------------|
| Client NTA Údarás Náisiúnta Iompair National Transport Authority | | Engineering Designer PROD TYPSA | | |
| Date FEB 2023 | Scale 1:100 @ A1 1:200 @ A3 | Drawn JVJ | Checked EFD | Approved SMG |
| Project Code BCIDD | Originator Code ROT | QMS Code | | |

| | |
|---|--------------------------|
| Programme Title BUSCONNECTS DUBLIN CORE BUS CORRIDORS INFRASTRUCTURE WORKS | |
| Drawing Title CBC11 KIMMAGE TO CITY CENTRE CORE BUS CORRIDOR SCHEME STRUCTURES KIMMAGE 02. PLAN VIEW & SECTIONS | |
| Drawing File Name BCIDD-ROT-STR_ZZ-0011_XX_00-DR-SS-0006 | Sheet Number 02 of 02 |
| Status A | Rev M01 |

DO NOT SCALE USE FIGURED DIMENSIONS ONLY

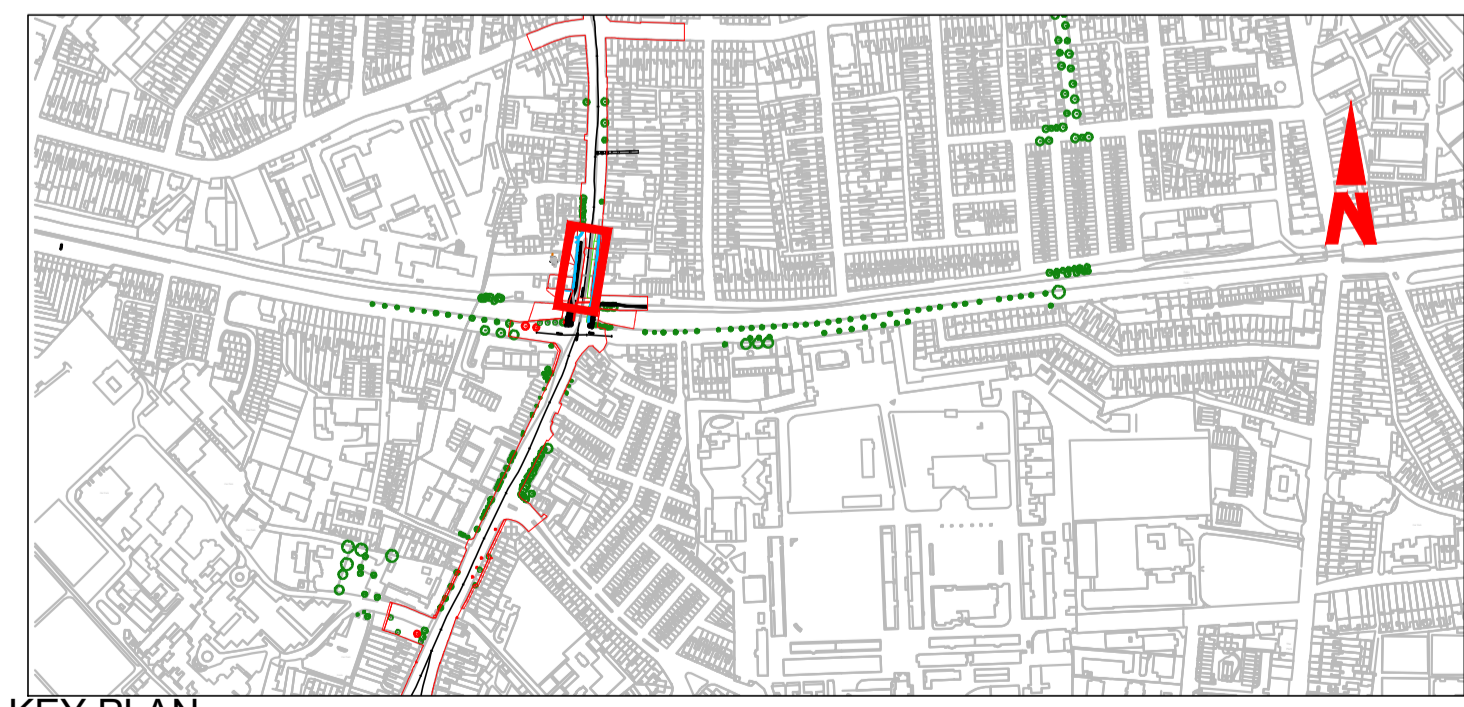
I:\rod\ubarcache\01\multimedia\ROD\Proj\2019\119117-04-RECCD\TYPSA\2022_12_16\Kimmage Drawings\BCIDD-ROT-STR_ZZ-0011_XX_00-DR-SS-0006.dwg



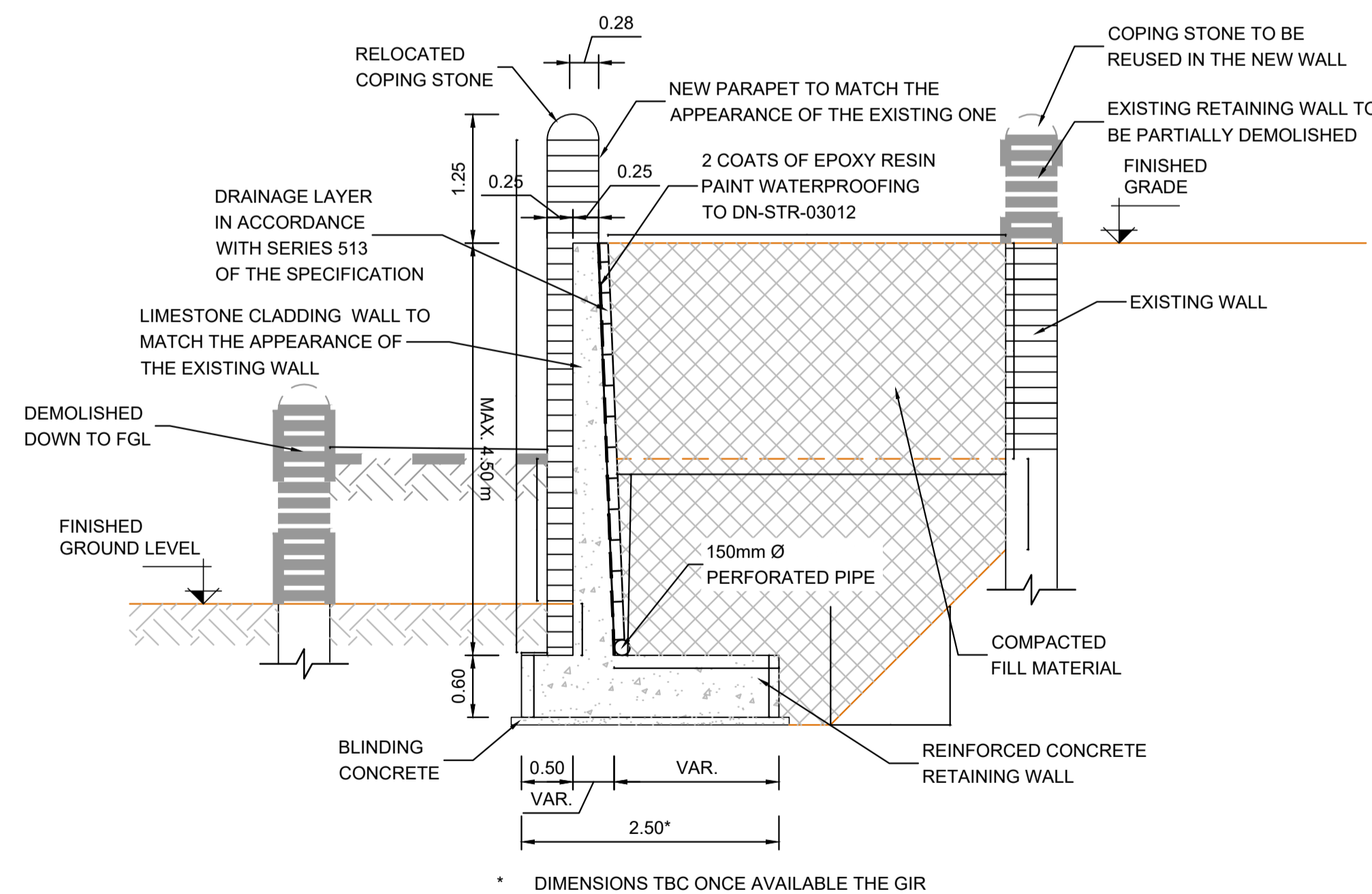
GENERAL PLAN
SCALE 1:100

NOTES:

1. ALL DIMENSIONS ARE IN METRES UNLESS NOTED OTHERWISE.
2. THE GENERAL ARRANGEMENT IS INDICATIVELY ONLY.
3. PRIOR TO THE EXECUTION OF THE WORKS, THE CONTRACTOR MUST CHECK ON SITE THE GEOMETRY AND DIMENSIONS OF THE EXISTING STRUCTURAL ELEMENTS. SHOULD THE CONTRACTOR FIND ANY DISCREPANCY WITH THOSE INDICATED IN THE DRAWINGS, THEN IT SHALL BE COMMUNICATED IMMEDIATELY TO THE PROJECT DIRECTOR PRIOR COMMENCING CONSTRUCTION WORKS.
4. ALL BURIED SURFACES TO BE WATERPROOFED IN ACCORDANCE WITH THE TII SPECIFICATION FOR ROAD WORKS.
5. FOUNDATION DETAILS SUBJECT TO CONFIRMATION OR RECEIPT OF G.I.
6. SERVICES SHOWN INDICATIVELY ONLY. THE CONTRACTOR SHALL IDENTIFY THE SERVICES ON SITE PRIOR COMMENCING CONSTRUCTION WORKS.



KEY PLAN



SECTION A-A. RETAINING WALL TYPICAL SECTION
SCALE 1:50

Disclaimer
 a. © National Transport Authority (NTA) 2022. This drawing is confidential and the copyright in it is owned by NTA. This drawing must not be either loaned, copied or otherwise reproduced in whole or in part or used for any purpose without the prior permission of NTA.
 b. This drawing is to be used for the design element identified in the titleblock. Other information shown is to be considered indicative only. The drawing is to be read in conjunction with all other relevant design drawings.
 c. O.S. data used for plans are printed under © Ordnance Survey Ireland Government of Ireland. All rights reserved. Licence Number 2022/OSI_NMA_180 National Transport Authority. All elevations are in metres and relate to OSI Geoid Model (OSGM15) Mean Head. All Co-ordinates are in Irish Transverse Mercator Grid (ITM) as defined by OSI active local GPS station.
 d. Information concerning the position of apparatus shown on this drawing is based on drawings supplied by the utility owners and/or the utility works contractor, whilst every care has been taken in the preparation of this drawing, positions should be taken as approximate and are intended for general guidance only and no representation is made by the NTA as to the accuracy, completeness, sufficiency or otherwise of this drawing and the position of the apparatus. The information contained herein does not purport to be comprehensive or final as the apparatus is subject to being altered and/or superceded. Recipients should not rely on this information. Any liabilities are hereby expressly disclaimed.
 e. The information contained herein has been provided by the NTA but does not purport to be comprehensive or final. Recipients should not rely on the information. Neither the NTA nor any of its directors, officers, employees, agents, stakeholders or advisers make any representation or warranty as to, or accept any liability or responsibility in relation to, the adequacy, accuracy, reasonableness or completeness of the information provided as part of this document or any matter on which the information is based (including but not limited to loss or damage arising as a result of reliance by recipients on the information or any part of it). Any liabilities are hereby expressly disclaimed.

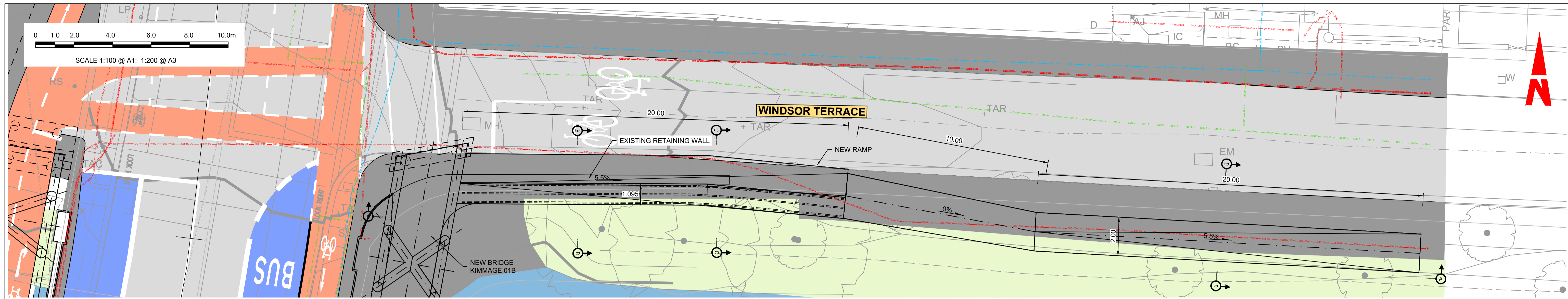


| Rev | Date | Drn | Chk'd | App'd | Description |
|-----|----------|-----|-------|-------|-------------|
| M01 | FEB 2023 | JGE | EFD | SMG | |

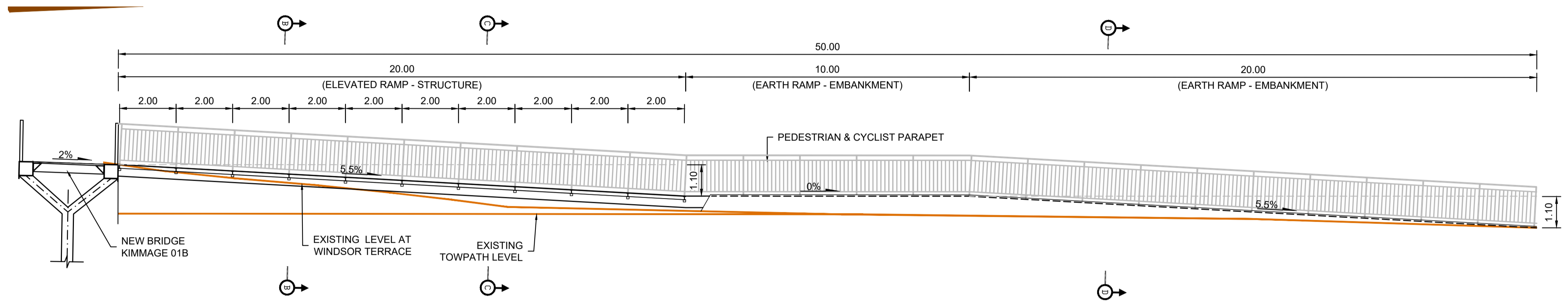
| | | | | |
|--|--------------------------------|--|----------------|-----------------|
| Client NTA Údarás Náisiúnta Iompair National Transport Authority | | Engineering Designer PROD TYPSA | | |
| Date FEB 2023 | Scale @ A1 AS SHOWN @ A3 | Drawn JVG | Checked EFD | Approved SMG |
| Project Code BCIDD | Originator Code ROT | QMS Code | | |

| | | | | |
|---|--------------------------|-------------|------------|--|
| Programme Title BUSCONNECTS DUBLIN CORE BUS CORRIDORS INFRASTRUCTURE WORKS | | | | |
| Drawing Title CBC11 KIMMAGE TO CITY CENTRE CORE BUS CORRIDOR SCHEME STRUCTURES KIMMAGE 03. GENERAL ARRANGEMENT & SECTIONS | | | | |
| Drawing File Name BCIDD-ROT-STR_ZZ-0011_XX_00-DR-SS-0007 | Sheet Number 01 of 01 | Status A | Rev M01 | |

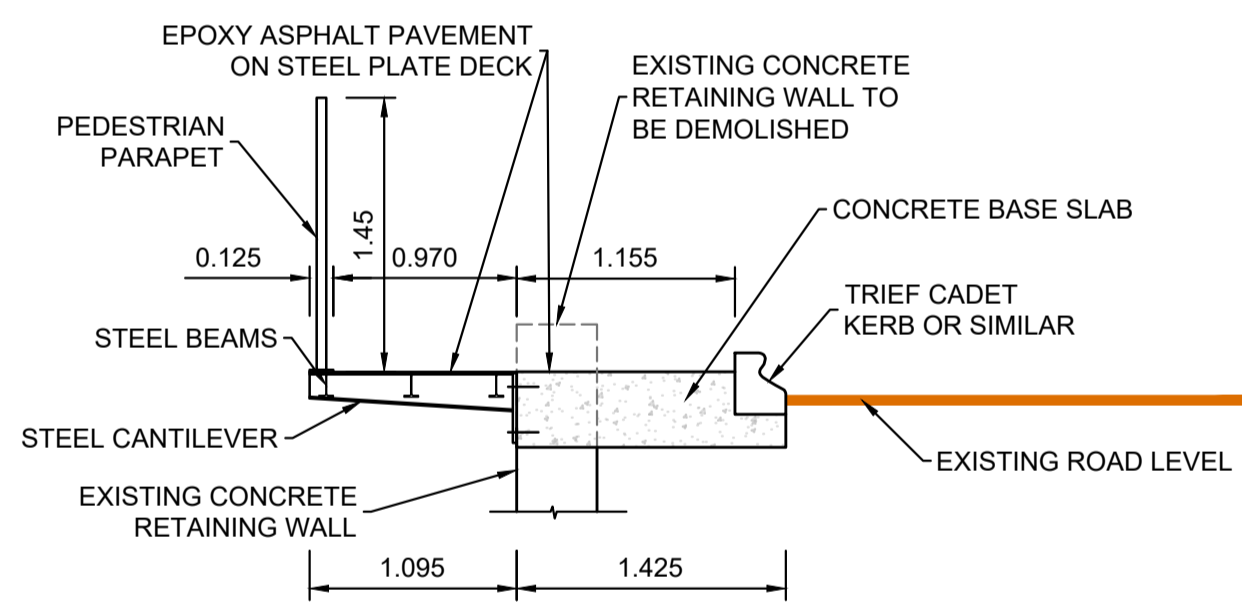
DO NOT SCALE USE FIGURED DIMENSIONS ONLY



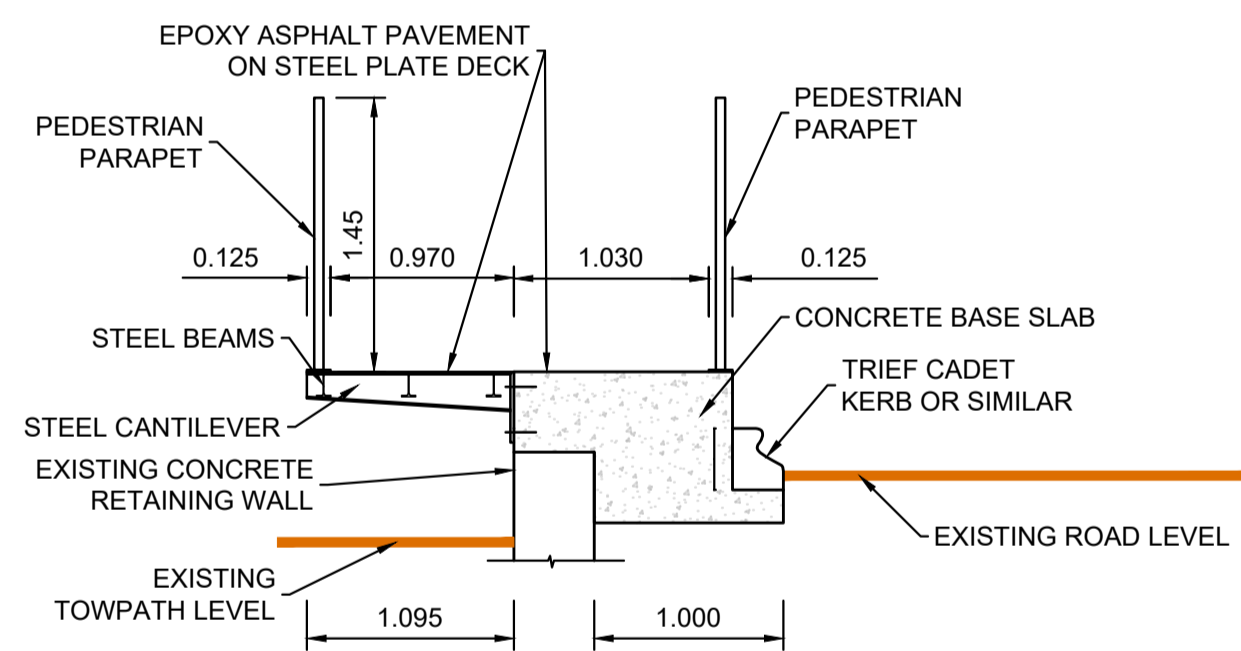
GENERAL PLAN
SCALE 1:100



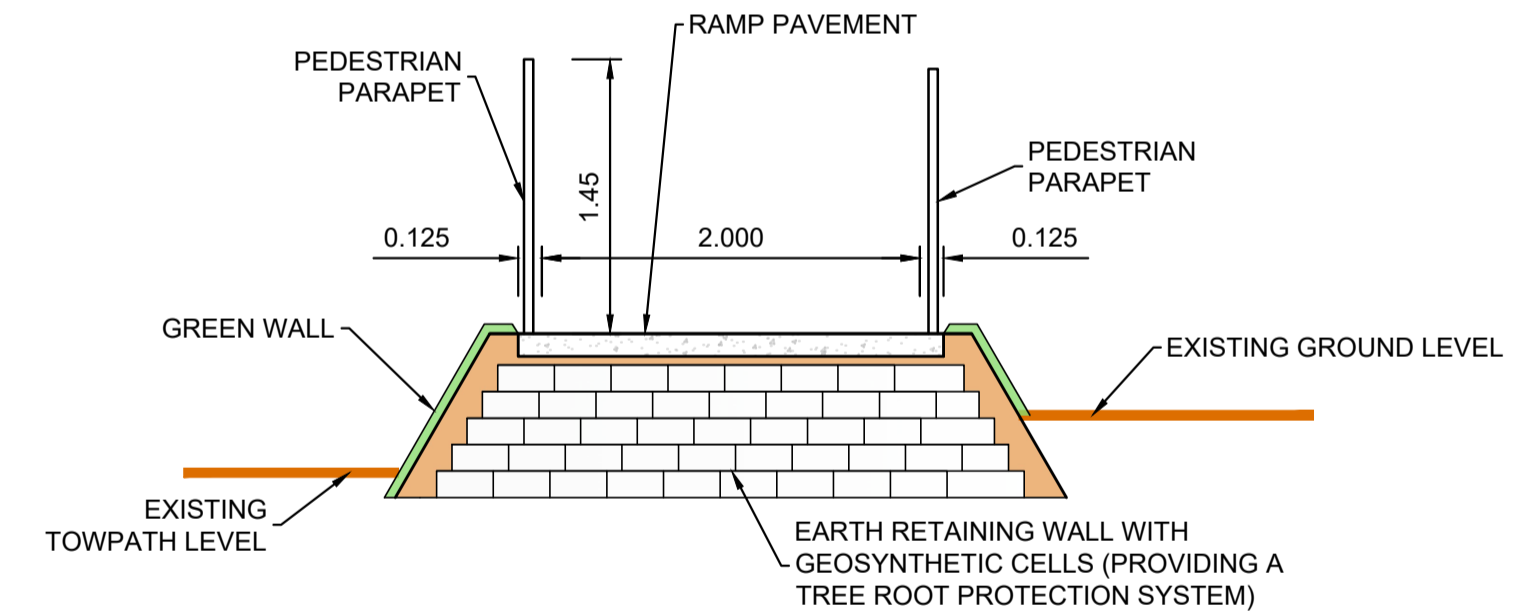
LONGITUDINAL SECTION A-A
SCALE 1:100



SECTION B-B
SCALE 1:40



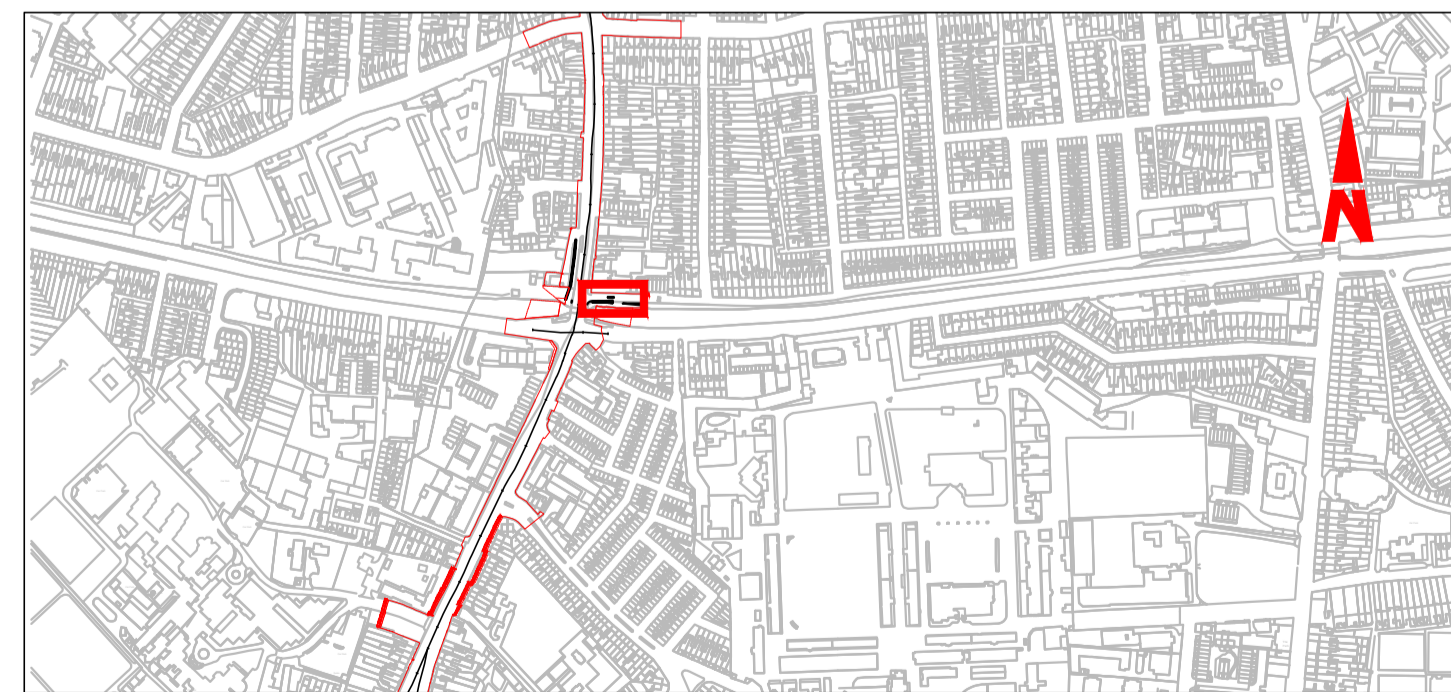
SECTION C-C
SCALE 1:40



SECTION D-D
SCALE 1:40

NOTES:

- ALL DIMENSIONS ARE IN METRES UNLESS NOTED OTHERWISE.
- THE GENERAL ARRANGEMENT IS INDICATIVELY ONLY.
- PRIOR TO THE EXECUTION OF THE WORKS, THE CONTRACTOR MUST CHECK ON SITE THE GEOMETRY AND DIMENSIONS OF THE EXISTING STRUCTURAL ELEMENTS. SHOULD THE CONTRACTOR FIND ANY DISCREPANCY WITH THOSE INDICATED IN THE DRAWINGS, THEN IT SHALL BE COMMUNICATED IMMEDIATELY TO THE PROJECT DIRECTOR PRIOR COMMENCING CONSTRUCTION WORKS.
- ALL BURIED SURFACES TO BE WATERPROOFED IN ACCORDANCE WITH THE TII SPECIFICATION FOR ROAD WORKS.
- FOUNDATION DETAILS SUBJECT TO CONFIRMATION OR RECEIPT OF G.I.
- SAFETY BARRIER IN ACCORDANCE WITH DN-REG-03034
- STRUCTURAL STEEL ELEMENTS:
- STEEL S355
- SERVICES SHOWN INDICATIVELY ONLY. THE CONTRACTOR SHALL IDENTIFY THE SERVICES ON SITE PRIOR COMMENCING CONSTRUCTION WORKS.



KEY PLAN

Disclaimer
a. © National Transport Authority (NTA) 2022. This drawing is confidential and the copyright in it is owned by NTA. This drawing must not be either loaned, copied or otherwise reproduced in whole or in part or used for any purpose without the prior permission of NTA.
b. This drawing is to be used for the design element identified in the titleblock. Other information shown is to be considered indicative only. The drawing is to be read in conjunction with all other relevant design drawings.
c. O.S. data used for plans are printed under © Ordnance Survey Ireland Government of Ireland. All rights reserved. Licence Number 2022/OSI_NMA_180 National Transport Authority. All elevations are in metres and relate to OSI Geoid Model (OSGM15) Mean Head. All Co-ordinates are in Irish Transverse Mercator Grid (ITM) as defined by OSI active local GPS station.
e. The information contained herein has been provided by the NTA but does not purport to be comprehensive or final. Recipients should not rely on the information. Neither the NTA nor any of its directors, officers, employees, agents, stakeholders or advisers make any representation or warranty as to, or accept any liability or responsibility in relation to, the adequacy, accuracy, reasonableness or completeness of the information provided as part of this document or any matter on which the information is based (including but not limited to loss or damage arising as a result of reliance by recipients on the information or any part of it). Any liabilities are hereby expressly disclaimed.

Project Ireland 2040
Building Ireland's Future

| Rev | Date | Drn | Chk'd | App'd | Description |
|-----|----------|-----|-------|-------|-----------------------------|
| M01 | FEB 2023 | JVG | EFD | SMG | ISSUE FOR PHASE 4: PLANNING |

Client
NTA
Udarás Náisiúnta Iompair
National Transport Authority

Engineering Designer
PROD
TYPSA

| | |
|--|--------------------------|
| Programme Title BUSCONNECTS DUBLIN CORE BUS CORRIDORS INFRASTRUCTURE WORKS | |
| Drawing Title CBC11 KIMMAGE TO CITY CENTRE CORE BUS CORRIDOR SCHEME STRUCTURES KIMMAGE 04. GENERAL ARRANGEMENT | |
| Drawing File Name BCIDD-ROT-STR_ZZ-0011_XX_00-DR-SS-0008 | Sheet Number 01 of 01 |
| Status A | Rev M01 |

DO NOT SCALE USE FIGURED DIMENSIONS ONLY

I:\rod\ubarchived\1\multimedia\ROD\Proj\2019\1911719117-04-RECD\12_16_Kimmage_Drawings\BCIDD-ROT-STR_ZZ-0011_XX_00-DR-SS-0008.dwg